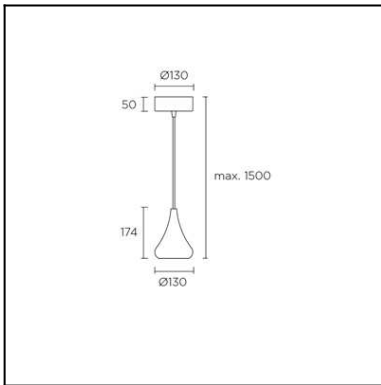


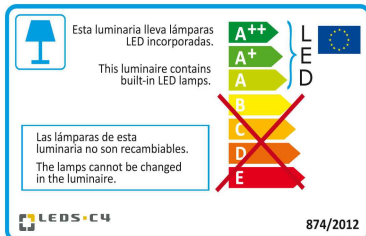
Design by GEMMA BERNAL



The photograph may not match the reference exactly. Please read the product description to identify the finish.



Download photometric file .ldt / .ies



Click on image to download energy label

### TECHNICAL CHARACTERISTICS

Type:	Pendant
IP Protection degrees:	IP20
Light source 1:	1 x LED Cree 12,6W Warm White - 3000K 1290 lm <sup>(N)</sup> CRI 80
Total power consumption (W):	15,2
Voltage / Frequency:	100-240V/50-60Hz
Warranty (Years):	2
Option to extend the guarantee (Years):	5
Units per box:	1
EAN:	8435381440350



### MATERIALS / FINISHES

<b>Structure material:</b>	Steel	<b>Diffuser material:</b>	Methacrylate
<b>Structure finish:</b>	Painted gold	<b>Diffuser finish:</b>	Transparent

### GEAR

Multi-voltage electronic gear included (100-240V / 50-60Hz)

Lm<sup>(N)</sup>: Nominal flow of light in actual working conditions. Its actual flow will depend on the environmental conditions and the efficiency of the optics and/or diffuser.

LEDS-C4 reserves the right to make the necessary technical changes they deem adequate, in order to improve the features of the product.

Please consult the sales team to clarify any doubt.

**Luminaire**

Code 00-5346-F5-F5  
Name Colgante CHERRY led 12.6W

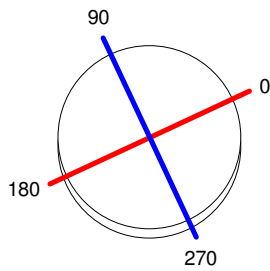
**Measur.**

Code 00-5346-F5-F5  
Name Colgante CHERRY led 12.6W

Luminaire Flux	1005.57 lm	Luminaire Power	14.00 W	Efficacy	71.83 lm/W	Efficiency	100.00%
Lamps Flux	1005.57 lm	Maximum value	388.34 cd	Position	C=0.00 G=0.00	CG	Double Symmetrical
Round Luminaire Round Luminous Area		Diam. Diam.	130 mm 85 mm	Height Height	174 mm 0 mm		
Horizontal Luminous Area Emitting area on Plane 0° Emitting area on Plane 90°		0.005675 m2 0.000000 m2 0.000000 m2		Emitting area on Plane 180° Emitting area on Plane 270° Glare area at 76°		0.000000 m2 0.000000 m2 0.001373 m2	
Coordinate system Date Measurement Distance		CG 24-03-2016 6.44		Symmetry Type Maximum Gamma Angle Measurement Flux		Double Symmetrical 90 1005.57 lm	
Operator Temperature Humidity Notes		Asselum T2 20.70 °C 45.00 %		Source voltage Source current Photocell		230.00 V Prc	

Line		Code		Luminaire Lamps		Flux [lm]	Pow. [W]	Q.ty
- LEDS C4 LEDS		00-5346-F5-F5		Name Lámpara led 16.2W		1005.57	14.00	1
C.I.E.	52 87 99 100 100			D DIN 5040		A40		
F UTE	1.00 D			B NBN		BZ 4 / 1.25 / BZ 3		

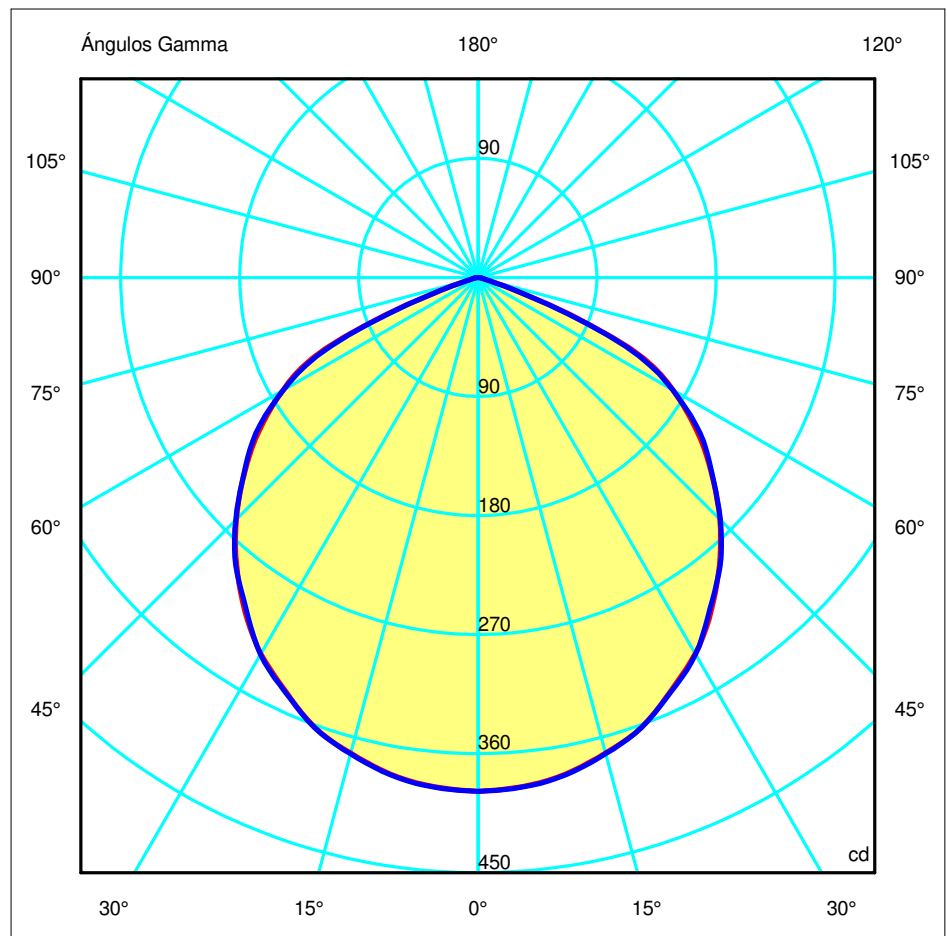
Diam=130mm

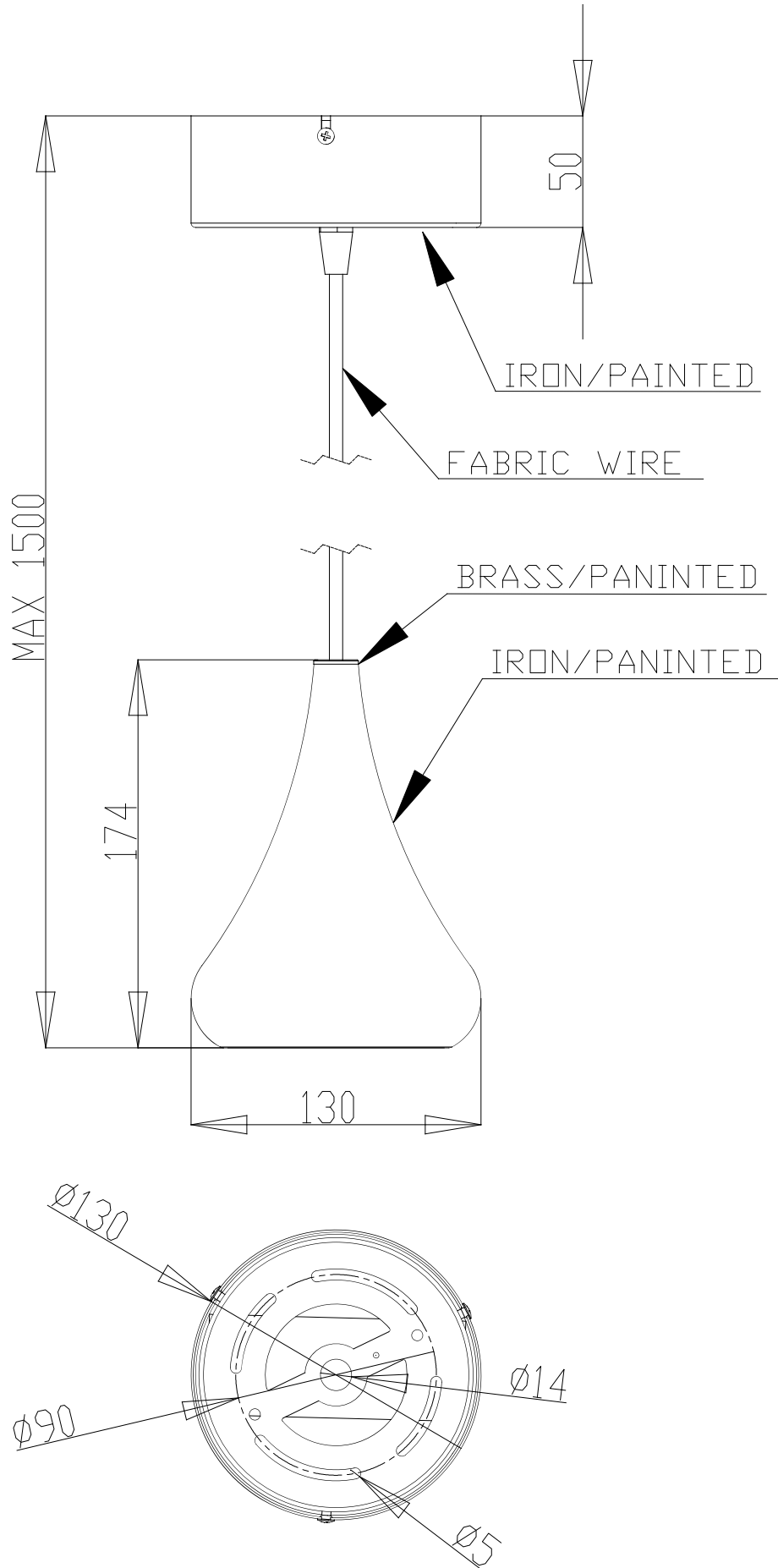


Semiplanos C

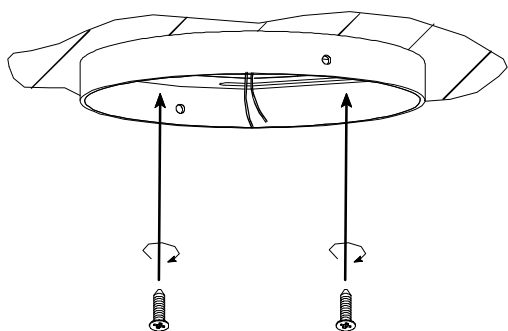
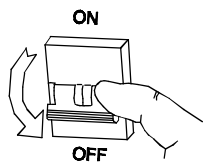
180.0 — 0.0  
270.0 — 90.0

ULOR 0.00 %  
DLOR 100.00 %  
RN 0.00 %

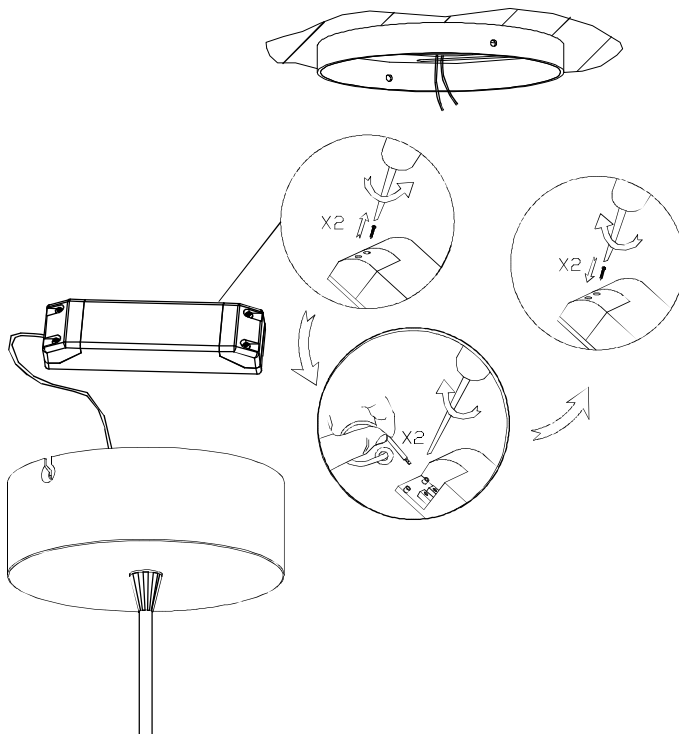




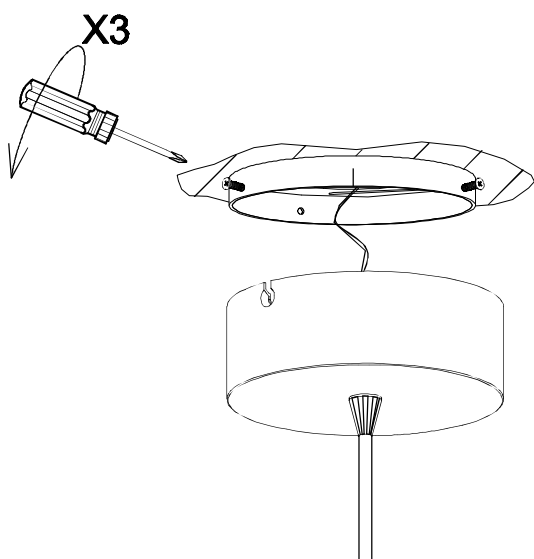
**1**



**2**



**3**



**4**

