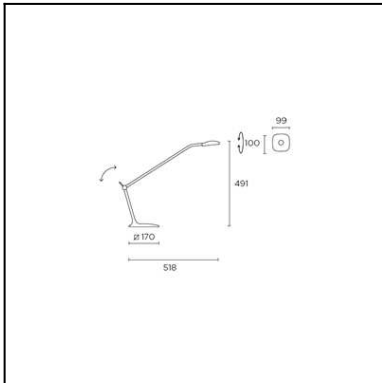




The photograph may not match the reference exactly. Please read the product description to identify the finish.

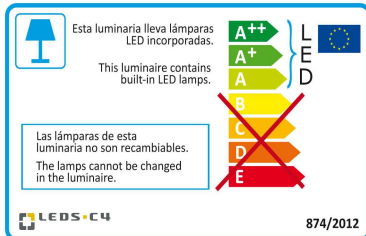


### TECHNICAL CHARACTERISTICS

Type:	Table lamp
Adjustable:	Adjustable 355° on the horizontal axis. Adjustable ±180° on the vertical axis
IP Protection degrees:	IP20
Light source 1:	1 x LED Cree 6,9W Warm White - 3000K 550 lm <sup>(N)</sup> CRI 80
Voltage / Frequency:	100-240V/50-60Hz
Warranty (Years):	2
Option to extend the guarantee (Years):	No
Units per box:	2
Net Weight (Kg):	2.62
EAN:	8435381414221
Stability:	>15°



[Download photometric file .ldt / .ies](#)



[Click on image to download energy label](#)

### MATERIALS / FINISHES

<b>Structure material:</b>	Aluminium Zamak
<b>Structure finish:</b>	Patine Old brown

### GEAR

Multi-voltage electronic gear included (110-240 V / 50-60 Hz)

Lm<sup>(N)</sup>: Nominal flow of light in actual working conditions. Its actual flow will depend on the environmental conditions and the efficiency of the optics and/or diffuser.

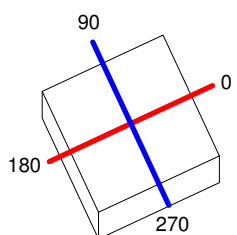
LEDS-C4 reserves the right to make the necessary technical changes they deem adequate, in order to improve the features of the product.

Please consult the sales team to clarify any doubt.

<b>Luminaire</b>		<b>Measur.</b>		<b>Lamp</b>	
Code	10-3273-21-05	Code	10-3273-21-05	Code	10-3273-21-05
Name	Sobremesa QUEEN led 6.9W	Name	Sobremesa QUEEN led 6.9W	Number	1
Line	Eulumdat	Date	23-07-2014	Position	
Efficiency	100.00%	Coordinate system	CG	Total Flux	284.07 lm
Maximum value	119.88 cd	Position	C=0.00 G=0.00	Double Symmetrical	
Rectangular Luminaire Round Luminous Area	Length Diam.	100 mm 30 mm	Width Height	100 mm 0 mm	Height 25 mm
Horizontal Luminous Area Emitting area on Plane 0° Emitting area on Plane 90°	0.000707 m2 0.000000 m2 0.000000 m2	Emitting area on Plane 180° Emitting area on Plane 270° Glare area at 76°		0.000000 m2 0.000000 m2 0.000171 m2	
Symmetry Type Measurement Distance	Double Symmetrical 0.00	Maximum Gamma Angle Measurement Flux		90 284.07 lm	
Operator Temperature Humidity Notes	Asselum T2 25.00 °C 60.00 %	Source voltage Source current Photocell			

Luminaire Lamps						
Line	Code	Name	Flux [lm]	Pow. [W]	Q.ty	
Eulumdat	10-3273-21-05	10-3273-21-05 - 7.00 W	284.07	7.00	1	
C.I.E. F UTE	53 84 97 100 100 1.00 D	D DIN 5040 B NBN	A40 BZ 4			

100mm x 100mm

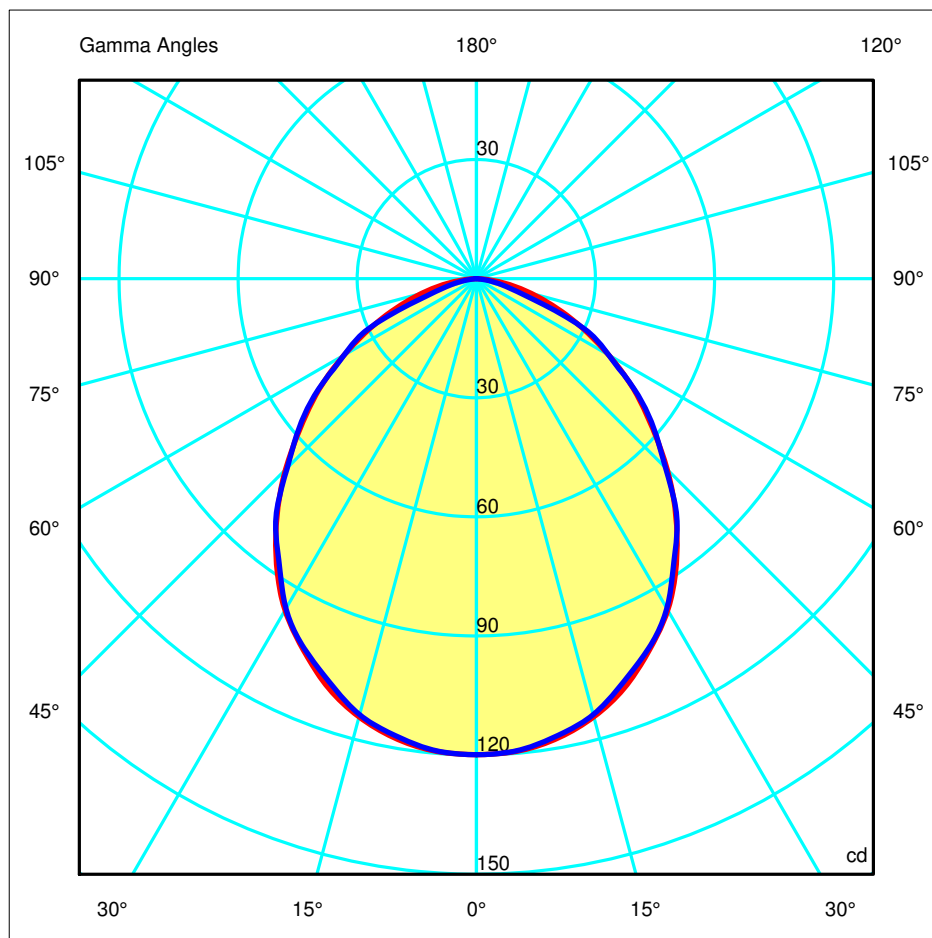


**C Halfplanes**

180.0 — 0.0 (Red line)

270.0 — 90.0 (Blue line)

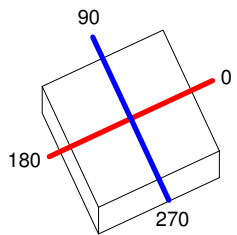
ULOR 0.00 %  
DLOR 100.00 %  
RN 0.00 %



<b>Luminaire</b>		<b>Measur.</b>		<b>Lamp</b>	
Code	10-3273-E4-Y2	Code	10-3273-21-05	Code	10-3273-21-05
Name	Sobremesa QUEEN led 6.9W	Name	Sobremesa QUEEN led 6.9W	Number	1
Line	Eulumdat	Date	23-07-2014	Position	
Efficiency	100.00%	Coordinate system	CG	Total Flux	284.07 lm
Maximum value	119.88 cd	Position	C=0.00 G=0.00	Double Symmetrical	
Rectangular Luminaire Round Luminous Area	Length Diam.	100 mm 30 mm	Width Height	100 mm 0 mm	Height 25 mm
Horizontal Luminous Area Emitting area on Plane 0° Emitting area on Plane 90°	0.000707 m2 0.000000 m2 0.000000 m2	Emitting area on Plane 180° Emitting area on Plane 270° Glare area at 76°		0.000000 m2 0.000000 m2 0.000171 m2	
Symmetry Type Measurement Distance	Double Symmetrical 0.00	Maximum Gamma Angle Measurement Flux	90 284.07 lm		
Operator Temperature Humidity Notes	Asselum T2 25.00 °C 60.00 %	Source voltage Source current Photocell			

Luminaire Lamps						
Line	Code	Name	Flux [lm]	Pow. [W]	Q.ty	
Eulumdat	10-3273-21-05	10-3273-21-05 - 7.00 W	284.07	7.00	1	
C.I.E. F UTE	53 84 97 100 100 1.00 D	D DIN 5040 B NBN	A40 BZ 4			

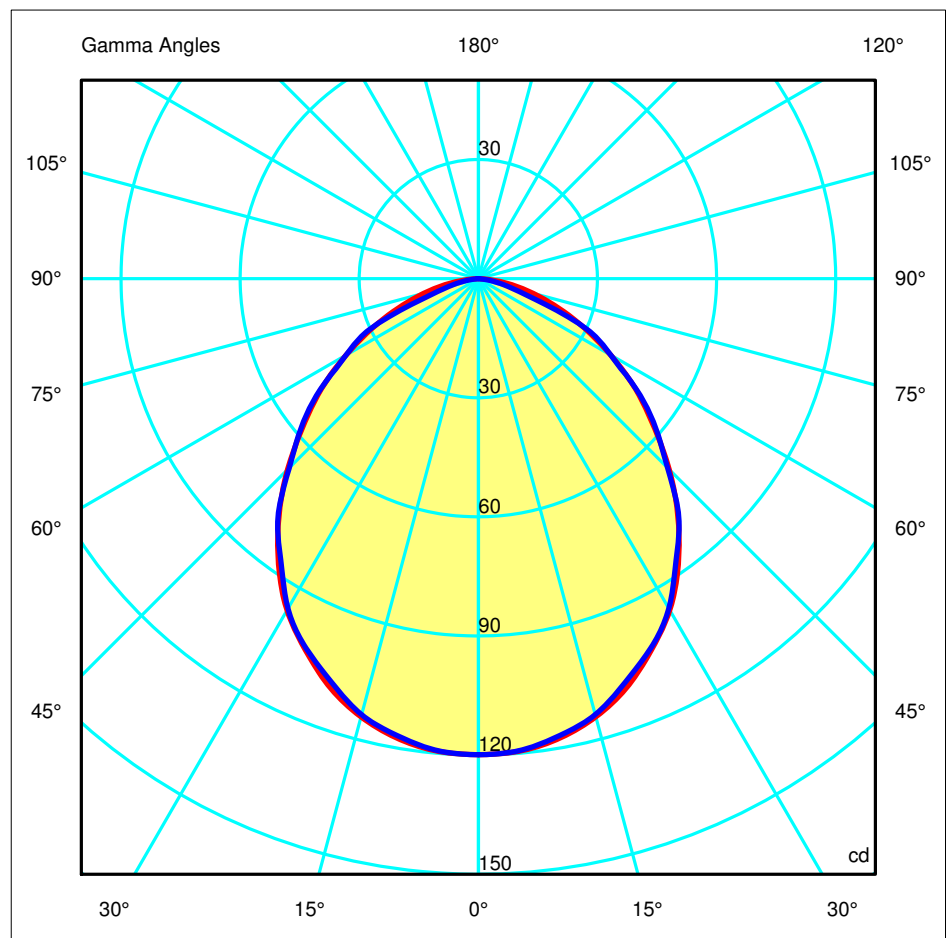
100mm x 100mm

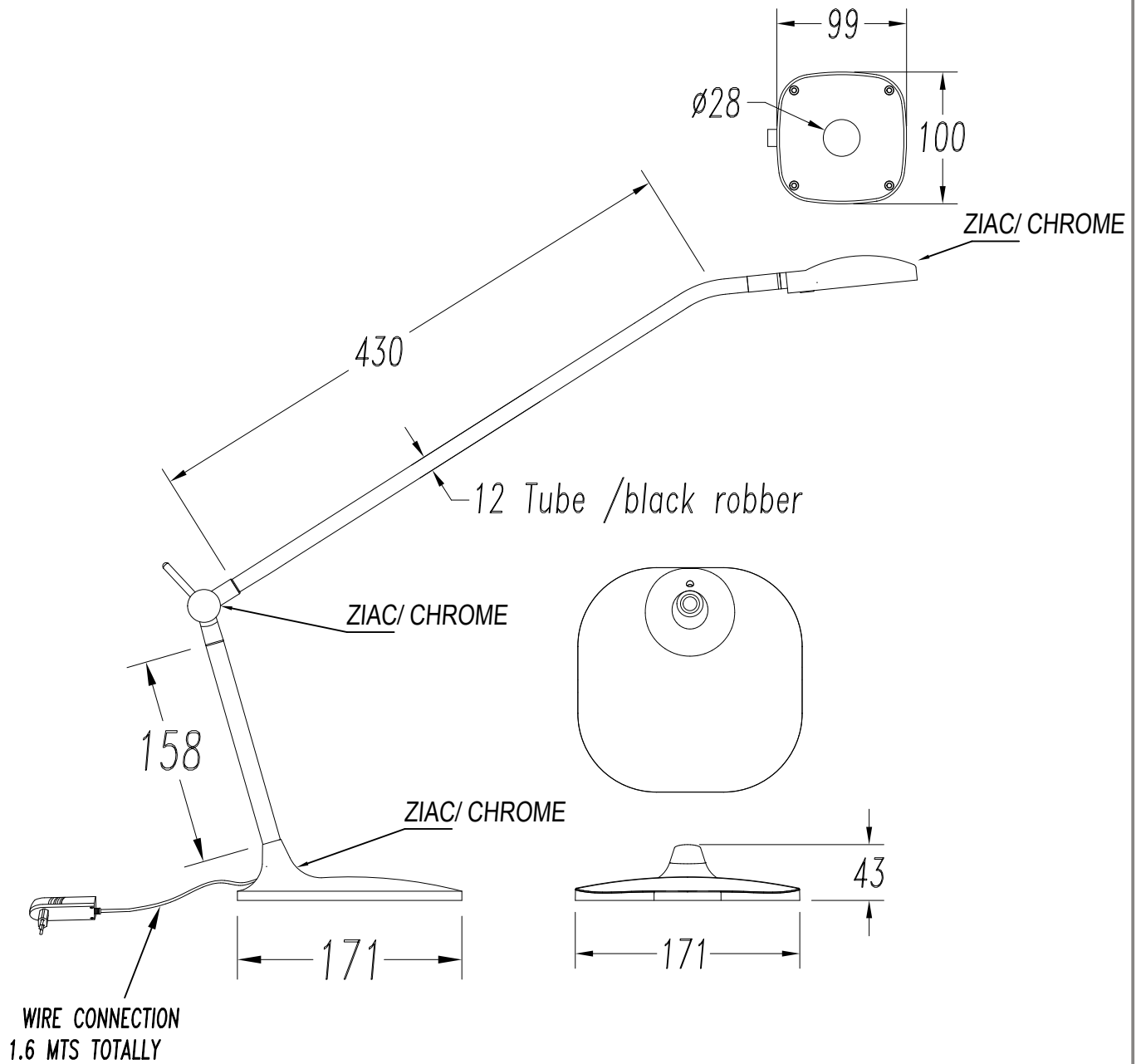


**C Halfplanes**

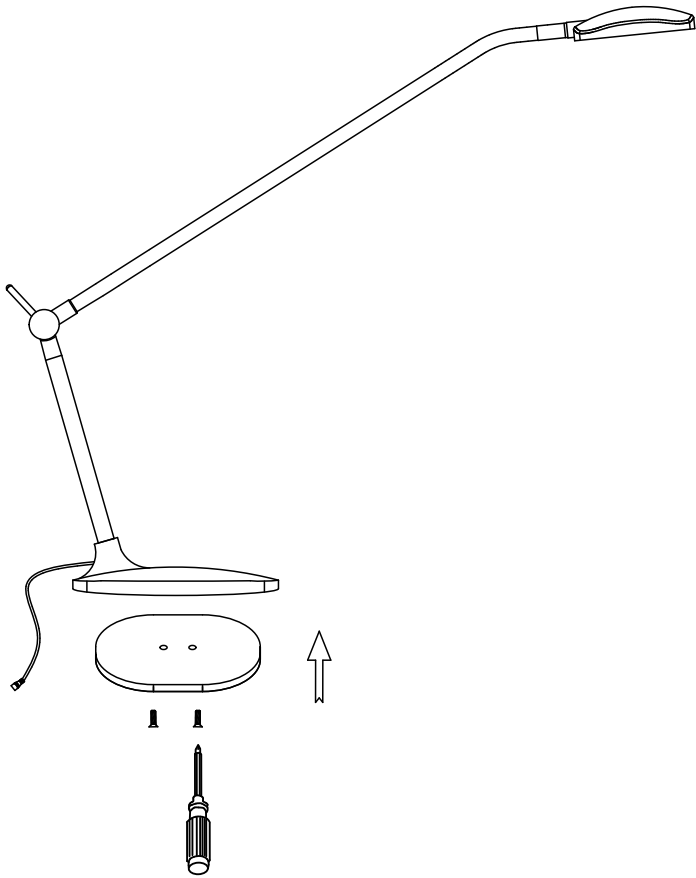
180.0 ——— 0.0  
270.0 ——— 90.0

ULOR      0.00 %  
DLOR      100.00 %  
RN         0.00 %

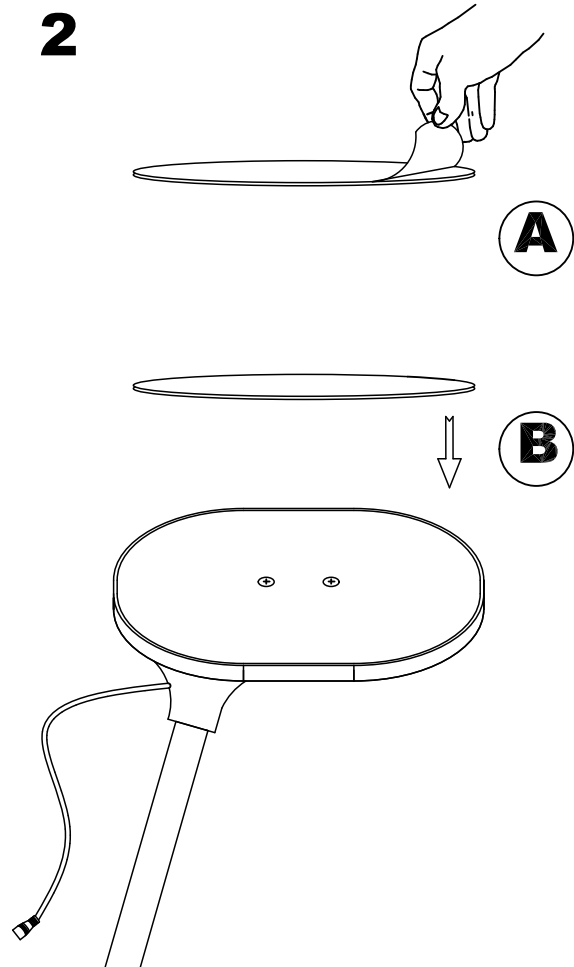




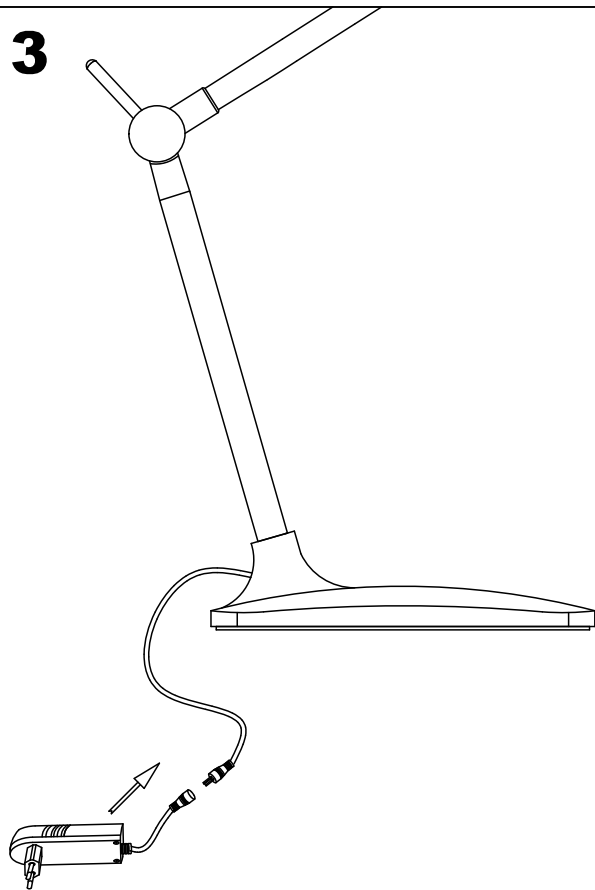
**1**



**2**



**3**



**4**

