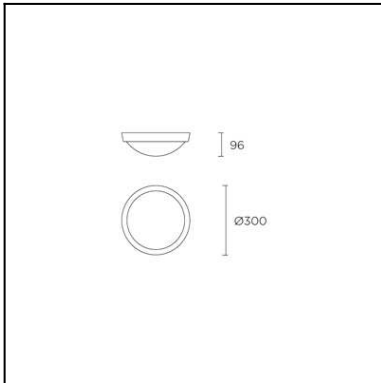
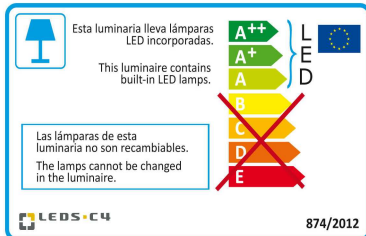




The photograph may not match the reference exactly. Please read the product description to identify the finish.



[Download photometric file .ldt / .ies](#)



Click on image to download energy label

TECHNICAL CHARACTERISTICS

Type:	Ceiling fixture
IP Protection degrees:	IP44
Light source 1:	48 x LED Samsung 12.5W Warm White - 3000K 1750 lm ^(N) CRI 80
Total power consumption (W):	15,3
Voltage / Frequency:	100-240V/50-60Hz
Warranty (Years):	2
Option to extend the guarantee (Years):	5
Units per box:	6
Net Weight (Kg):	0.805
EAN:	8435381437589



MATERIALS / FINISHES

Structure material:	Steel	Diffuser material:	Acrylic
Structure finish:	Chrome	Diffuser finish:	Matt opal

GEAR

Multi-voltage electronic gear included (100-240V / 50-60Hz)

Lm^(N): Nominal flow of light in actual working conditions. Its actual flow will depend on the environmental conditions and the efficiency of the optics and/or diffuser.

LEDS-C4 reserves the right to make the necessary technical changes they deem adequate, in order to improve the features of the product.

Please consult the sales team to clarify any doubt.

LED'S C4

REF. ENSAYO	REFERENCIA	POTENCIA NOMINAL (W)	POTENCIA (W)	POTENCIA APARENTE (VA)	POTENCIA REACTIVA (VAR)	COSENO DE PHI (PF)	CURRENT (A)
313/2016	15-5298-21-M1	12,5	15,46	17,83	8,83	0,868	0,077

Luminaire

Code 15-5298-21-M1
Name Plafón BUBBLE leds 12.5W opal

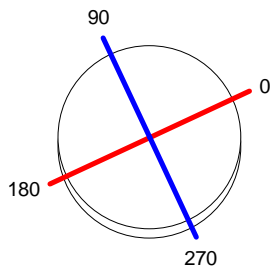
Measur.

Code 15-5298-21-M1
Name Plafón BUBBLE leds 12.5W opal

Luminaire Flux	1017.42 lm	Luminaire Power	15.00 W	Efficacy	67.83 lm/W	Efficiency	100.00%
Lamps Flux	1017.42 lm	Maximum value	286.10 cd	Position	C=0.00 G=0.00	CG	Double Symmetrical
Round Luminaire Round Luminous Area		Diam. Diam.	300 mm 260 mm	Height Height	95 mm 55 mm		
Horizontal Luminous Area Emitting area on Plane 0° Emitting area on Plane 90°		0.053093 m2 0.014300 m2 0.014300 m2		Emitting area on Plane 180° Emitting area on Plane 270° Glare area at 76°		0.014300 m2 0.014300 m2 0.026720 m2	
Coordinate system Date Measurement Distance		CG 21-04-2016 6.44		Symmetry Type Maximum Gamma Angle Measurement Flux		Double Symmetrical 180 1017.42 lm	
Operator Temperature Humidity Notes		Asselum T2 24.00 °C 45.00 %		Source voltage Source current Photocell		230.00 V Prc	

Line		Code		Luminaire Lamps		Flux [lm]	Pow. [W]	Q.ty
- LEDS C4 LEDS		15-5298-21-M1		Name Lámpara leds 12.5W		1017.42	15.00	1
C.I.E.	41 70 89 94 100			D DIN 5040		A31		
F UTE	0.94 G + 0.06 T			B NBN		BZ 5		

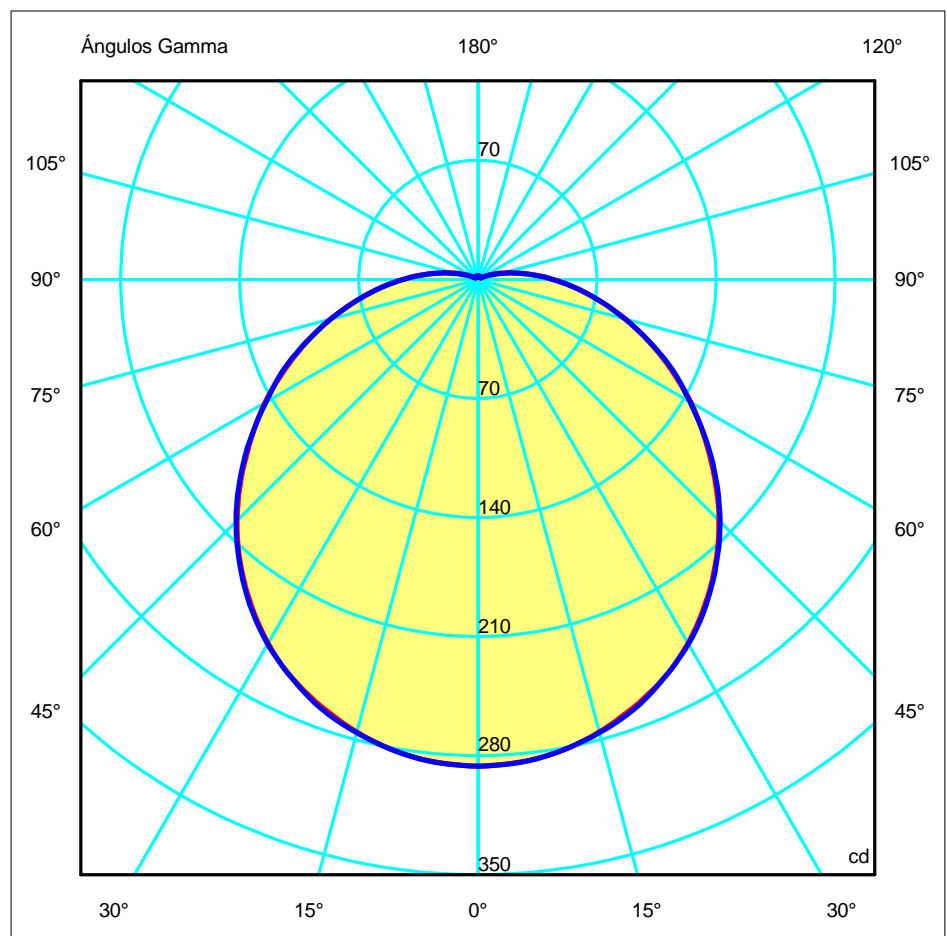
Diam=300mm



Semiplanos C

180.0 — 0.0
270.0 — 90.0

ULOR 6.16 %
DLOR 93.84 %
RN 6.16 %



Luminaire

Code 15-5298-21-M1U
Name Plafón BUBBLE leds 12.5W opal

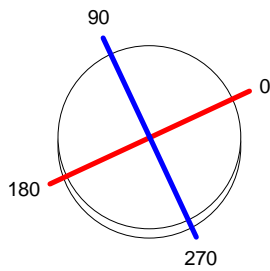
Measur.

Code 15-5298-21-M1
Name Plafón BUBBLE leds 12.5W opal

Luminaire Flux	1017.42 lm	Luminaire Power	15.00 W	Efficacy	67.83 lm/W	Efficiency	100.00%
Lamps Flux	1017.42 lm	Maximum value	281.20 cd/klm	Position	C=0.00 G=0.00	CG	Double Symmetrical
Round Luminaire		Diam.	300 mm	Height	95 mm		
Round Luminous Area		Diam.	260 mm	Height	55 mm		
Horizontal Luminous Area		0.053093 m2		Emitting area on Plane 180°		0.014300 m2	
Emitting area on Plane 0°		0.014300 m2		Emitting area on Plane 270°		0.014300 m2	
Emitting area on Plane 90°		0.014300 m2		Glare area at 76°		0.026720 m2	
Coordinate system		CG		Symmetry Type		Double Symmetrical	
Date		21-04-2016		Maximum Gamma Angle		180	
Measurement Distance		0.00		Measurement Flux		1017.42 lm	
Operator		Asselum T2		Source Voltage [V]			
Temperature		25.00 °C		Source current [A]			
Humidity		60.00 %		Photocell			
Notes							

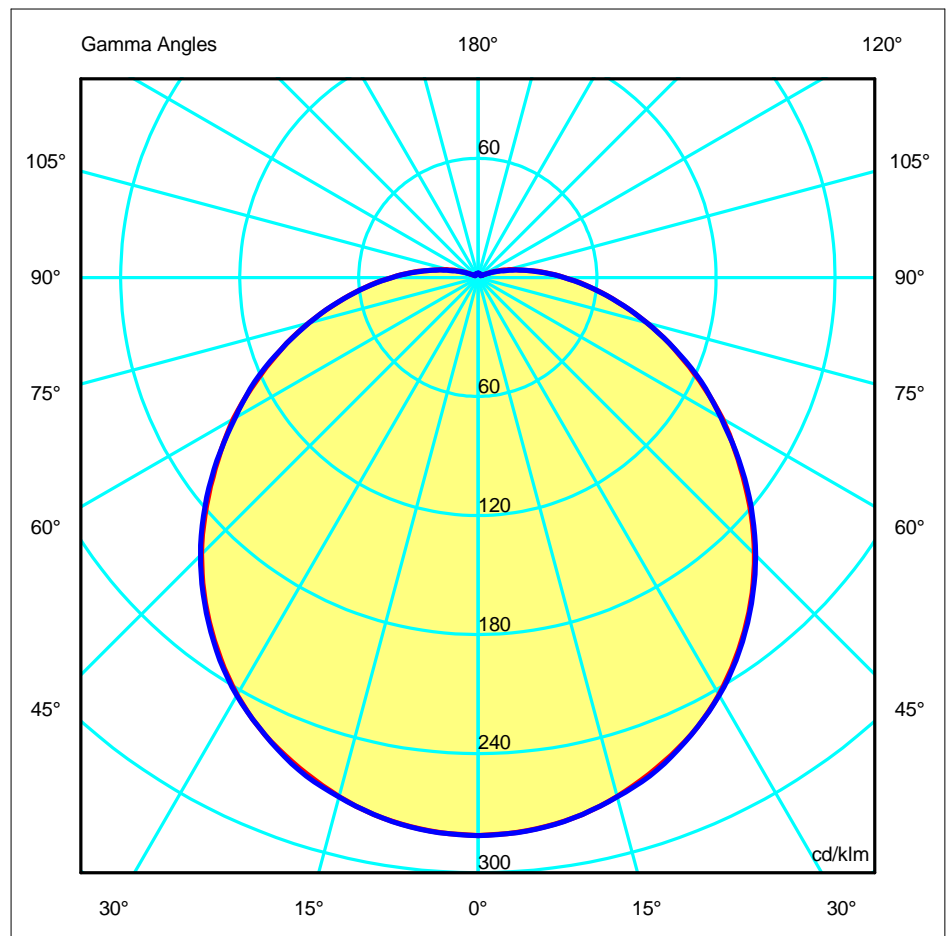
Luminaire Lamps						
Line	Code	Name	Flux [lm]	Pow. [W]	Q.ty	
	15-5298-21-M1	15-5298-21-M1	1017.42	15.00	1	
C.I.E.	41 70 89 94 100					D DIN 5040
F UTE	0.94 G + 0.06 T					B NBN
						A31
						BZ 5

Diam=300mm

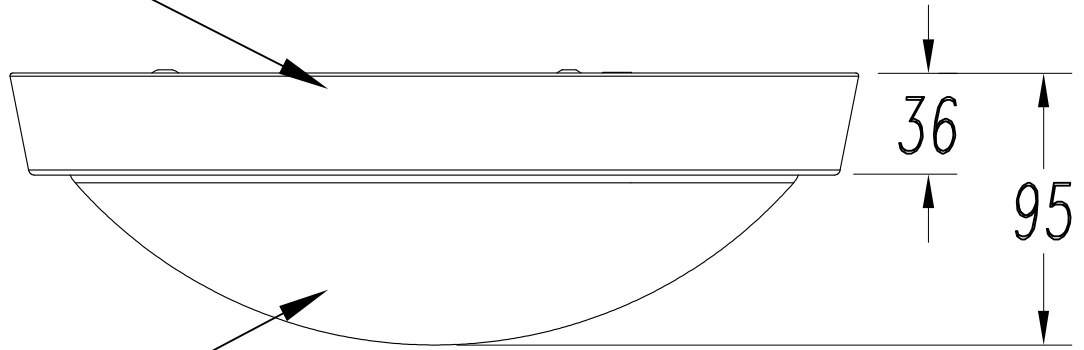


C Halfplanes
180.0 — 0.0
270.0 — 90.0

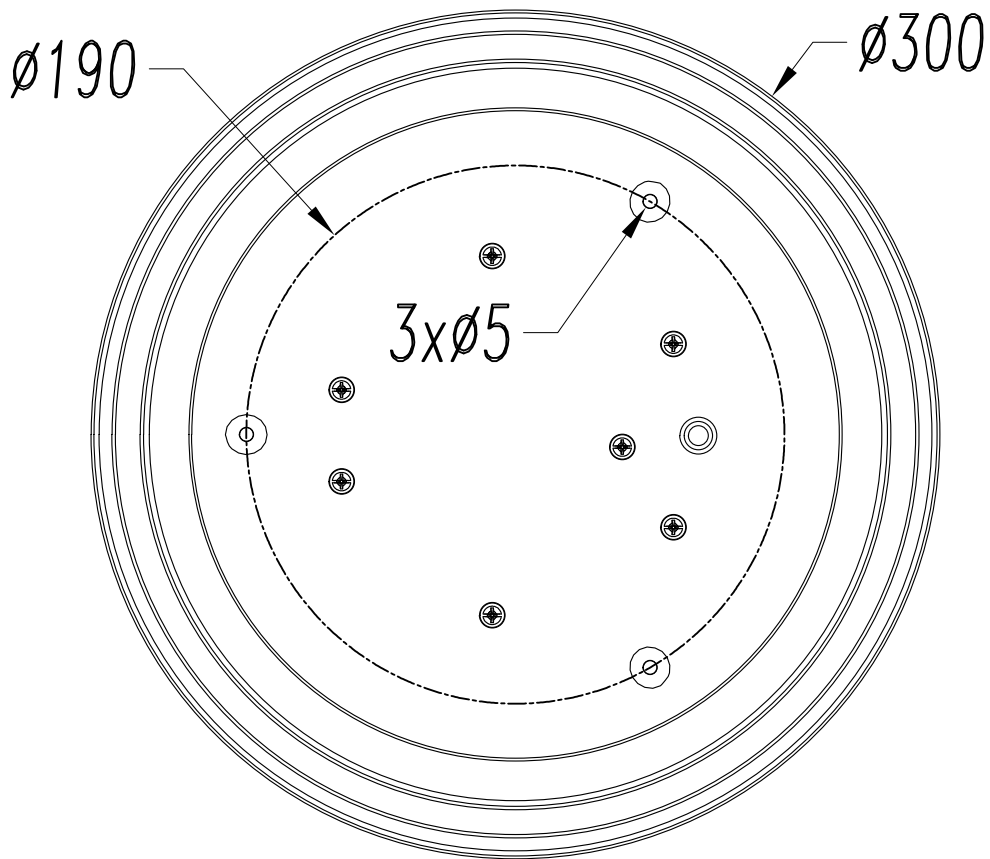
ULOR 6.16 %
DLOR 93.84 %
RN 6.16 %



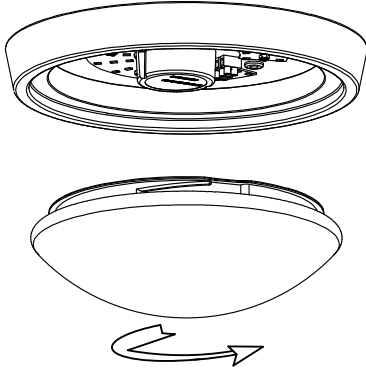
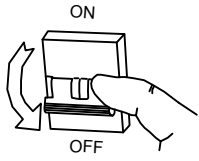
IRON/CHROME



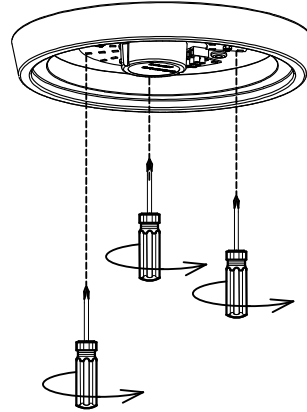
ACRYL/WHITE



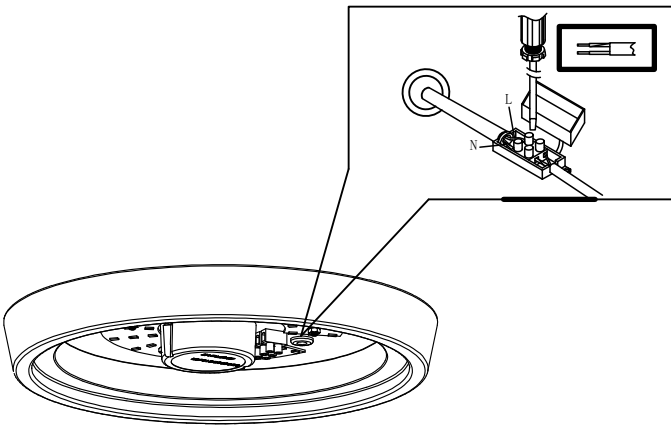
1



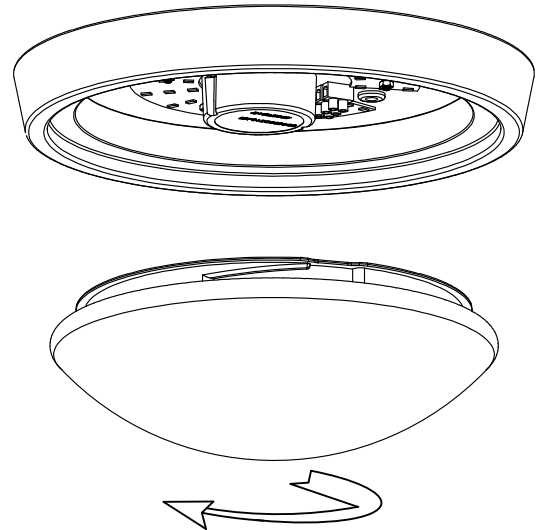
2



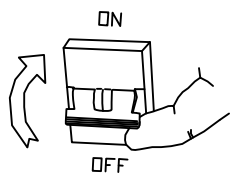
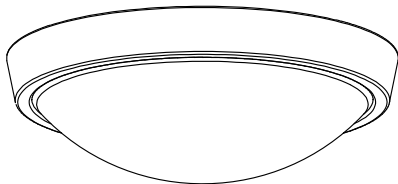
3



4



5



6

