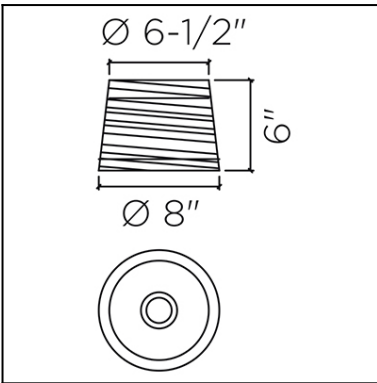




The photograph may not match the reference exactly. Please read the product description to identify the finish.



Download photometric file .ldt /.ies

Description

Shade, black horizontal wrapping, Ø200mm

TECHNICAL CHARACTERISTICS

Type:	Accessory
IP Protection degrees:	IP20
Light source 1:	0 x E27 Maximum lamp length: 140.00 mm Maximum lamp diameter: 135.00 mm
Warranty (Years):	2
Units per box:	5
Net Weight (Kg):	0.18
EAN:	8435381413828



MATERIALS / FINISHES

Structure material:	Steel	Diffuser material:	Ribboned shade PVC
Structure finish:	White	Diffuser finish:	Black

