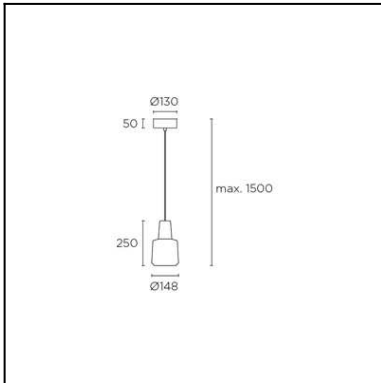




The photograph may not match the reference exactly. Please read the product description to identify the finish.


TECHNICAL CHARACTERISTICS

Type:	Pendant
IP Protection degrees:	IP20
Light source 1:	1 x LED Cree 19.5W Warm White - 3000K 1550 lm ^(N) CRI 80
Total power consumption (W):	22,7W
Voltage / Frequency:	100-240V/50-60Hz
Warranty (Years):	2
Option to extend the guarantee (Years):	5
Units per box:	6
Net Weight (Kg):	2.05
EAN:	8435381422622

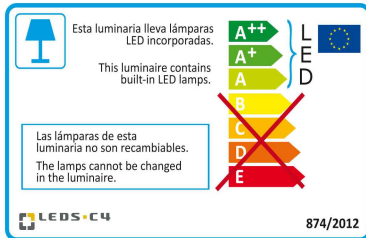

MATERIALS / FINISHES

Structure material:	Aluminium	Diffuser material:	Glass
Structure finish:	Concrete grey	Diffuser finish:	Fumé

GEAR

Multi-voltage electronic gear included (110-240 V / 50-60 Hz)

[Download photometric file .ldt / .ies](#)



[Click on image to download energy label](#)

Lm^(N): Nominal flow of light in actual working conditions. Its actual flow will depend on the environmental conditions and the efficiency of the optics and/or diffuser.

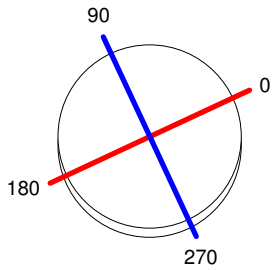
LEDS-C4 reserves the right to make the necessary technical changes they deem adequate, in order to improve the features of the product.

Please consult the sales team to clarify any doubt.

Luminaire		Measur.		Lamp	
Code	00-4037-14-37	Code	00-4037-14-37	Code	00-4037-14-37
Name	Colgante KHOI led 19.5W	Name	Colgante KHOI led 19.5W	Number	1
Line	- LEDS C4 LEDS	Date	07-04-2015	Position	Universal
Efficiency	100.00%	Coordinate system	CG	Total Flux	907.24 lm
Maximum value	510.36 cd	Position	C=0.00 G=0.00	Double Symmetrical	
Round Luminaire	Diam.	148 mm	Height	250 mm	
Round Luminous Area	Diam.	70 mm	Height	0 mm	
Horizontal Luminous Area	0.003848 m2	Emitting area on Plane 180°	0.000000 m2		
Emitting area on Plane 0°	0.000000 m2	Emitting area on Plane 270°	0.000000 m2		
Emitting area on Plane 90°	0.000000 m2	Glare area at 76°	0.000931 m2		
Symmetry Type	Double Symmetrical	Maximum Gamma Angle	180		
Measurement Distance	6.44	Measurement Flux	907.24 lm		
Operator	Asselum T2	Source voltage	230.00 V		
Temperature	20.00 °C	Source current			
Humidity	53.00 %	Photocell	Prc		
Notes					

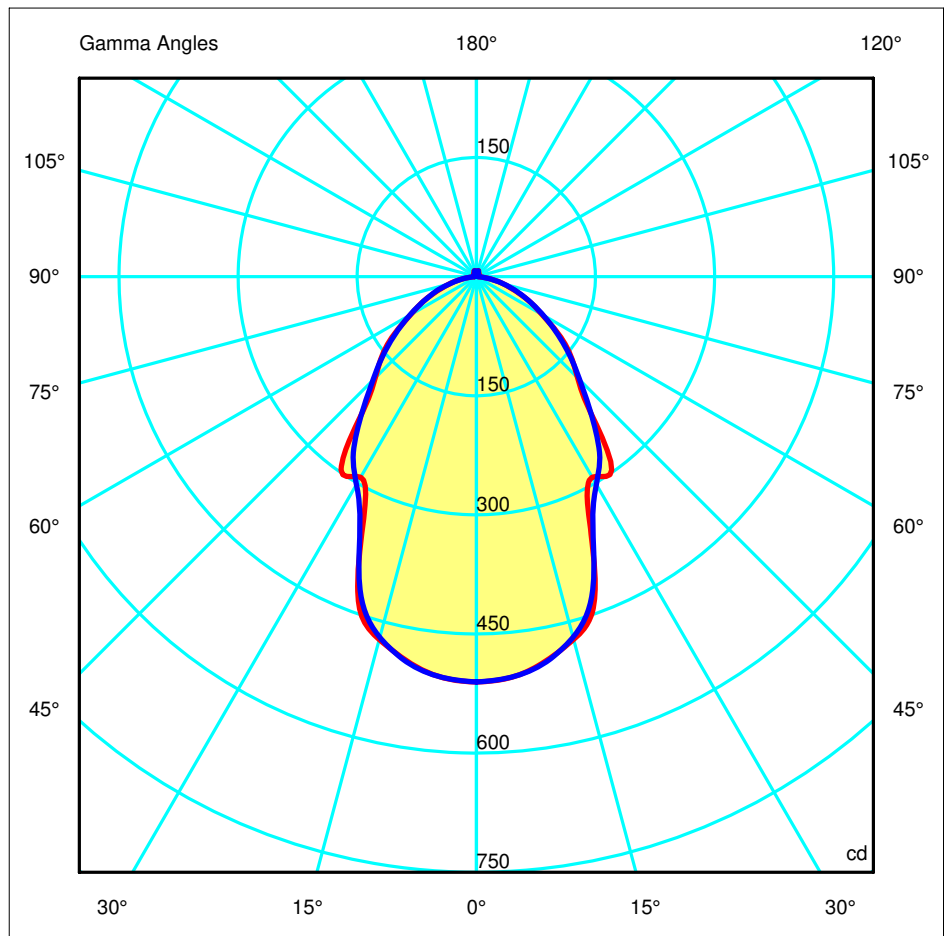
Luminaire Lamps						
Line	Code	Name	Flux [lm]	Pow. [W]	Q.ty	
- LEDS C4 LEDS	00-4037-14-37	Lámpara leds 19.5W	907.24	19.00	1	
C.I.E.	60 86 97 98 100	D DIN 5040		A41		
F UTE	0.98 D + 0.02 T	B NBN		BZ 3		

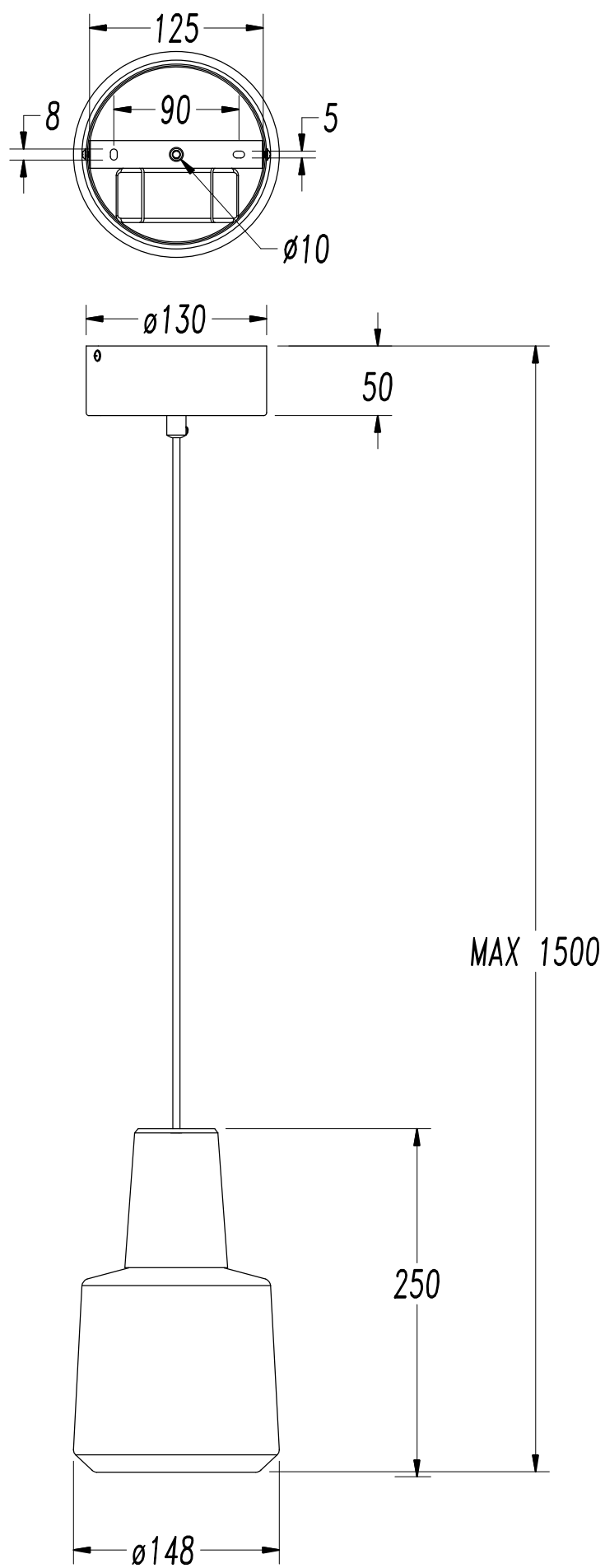
Diam=148mm



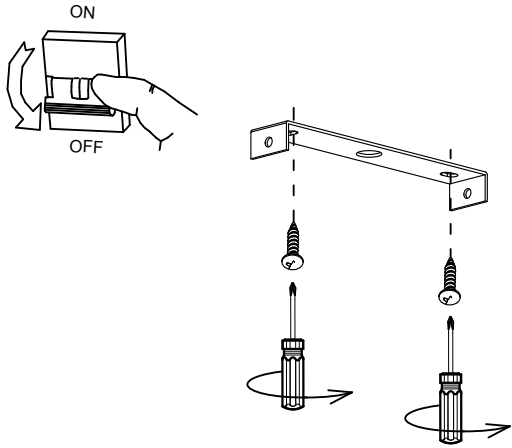
C Halfplanes
 180.0 — 0.0
 270.0 — 90.0

ULOR 2.35 %
 DLOR 97.65 %
 RN 2.35 %

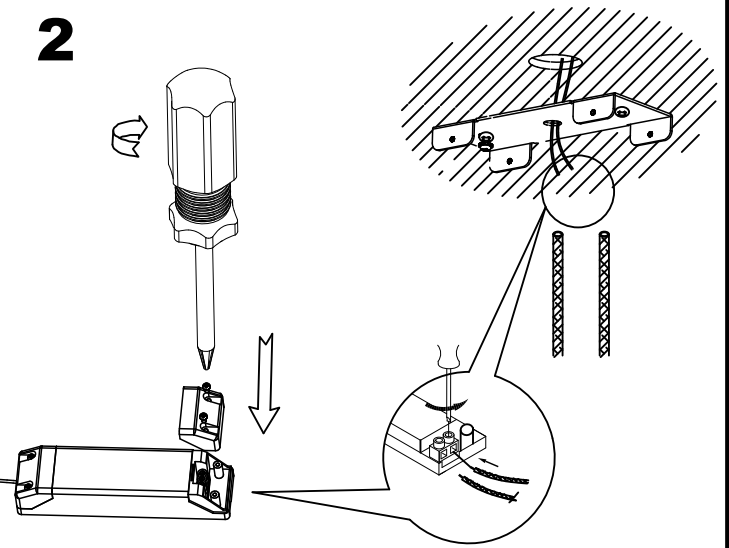




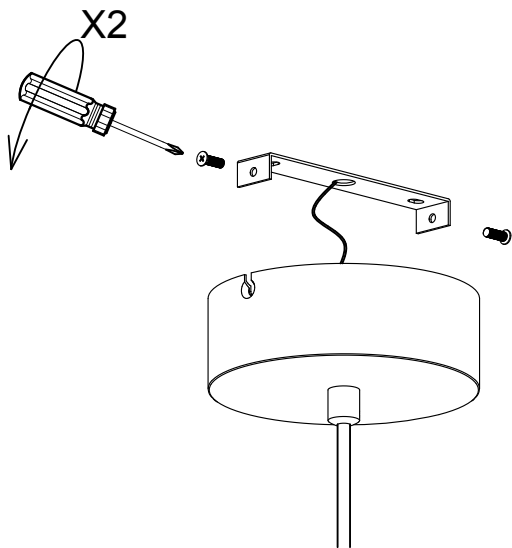
1



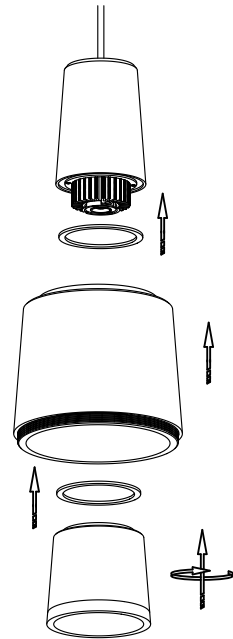
2



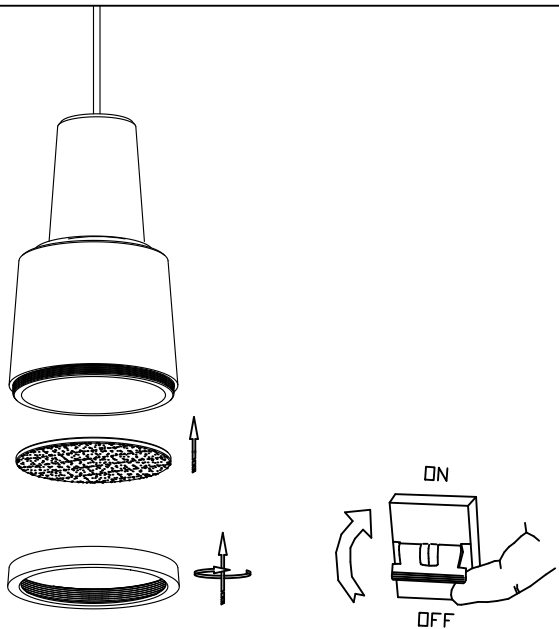
3



4



5



6

