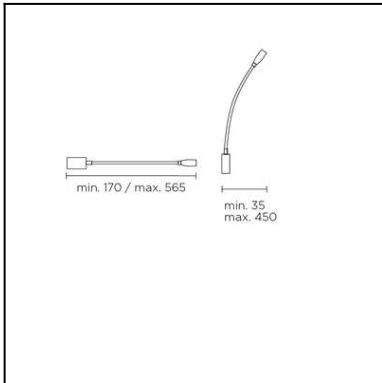




The photograph may not match the reference exactly. Please read the product description to identify the finish.


TECHNICAL CHARACTERISTICS

Type:	Wall fixture
IP Protection degrees:	IP20
Light source 1:	1 x LED Cree 3W Warm White - 3000K 162 lm ^(N) CRI 80
Angle of the optics / Reflector:	40°
Voltage / Frequency:	100-240V/50-60Hz
Warranty (Years):	2
Option to extend the guarantee (Years):	5
Units per box:	20
Net Weight (Kg):	0.44
EAN:	8435111066256

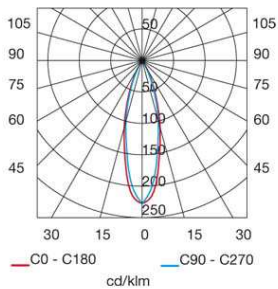

MATERIALS / FINISHES

Structure material: Steel
Structure finish: Grey

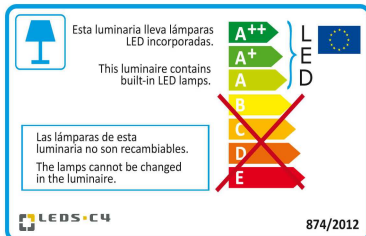
GEAR

Multi-voltage electronic gear included (110-240 V / 50-60 Hz)

Bed collection



Download photometric file .ldt / .ies



Click on image to download energy label

Lm^(N): Nominal flow of light in actual working conditions. Its actual flow will depend on the environmental conditions and the efficiency of the optics and/or diffuser.

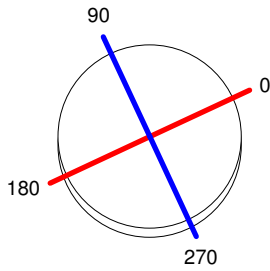
LEDS-C4 reserves the right to make the necessary technical changes they deem adequate, in order to improve the features of the product.

Please consult the sales team to clarify any doubt.

Luminaire		Measur.		Lamp	
Code	05-2831-34-34	Code	05-2831-34-34	Code	LAMP 05-2831-34-34
Name	Aplique BED 1x3W led	Name	Aplique BED 1x3W led	Number	1
Line	Eulumdat	Date	28-07-2010	Position	
Efficiency	100.00%	Coordinate system	CG	Total Flux	49.91 lm
Maximum value	170.92 cd	Position	C=0.00 G=0.00	Double Symmetrical	
Round Luminaire	Diam.	34 mm	Height	82 mm	
Round Luminous Area	Diam.	18 mm	Height	1 mm	
Horizontal Luminous Area	0.000254 m2	Emitting area on Plane 180°	0.000018 m2		
Emitting area on Plane 0°	0.000018 m2	Emitting area on Plane 270°	0.000018 m2		
Emitting area on Plane 90°	0.000018 m2	Glare area at 76°	0.000079 m2		
Symmetry Type	Double Symmetrical	Maximum Gamma Angle	90		
Measurement Distance	0.00	Measurement Flux	49.91 lm		
Operator	Asselum	Source voltage			
Temperature	25.00 °C	Source current			
Humidity	60.00 %	Photocell			
Notes					

Luminaire Lamps						
Line	Code	Name	Flux [lm]	Pow. [W]	Q.ty	
Eulumdat	LAMP 05-2831-34-34	LAMP 05-2831-34-34 - 3.00 W	49.91	3.00	1	
C.I.E.	95 99 100 100 100	D DIN 5040	A60			
F UTE	1.00 A	B NBN	BZ 1			

Diam=34mm



C Halfplanes
 180.0 — 0.0
 270.0 — 90.0

ULOR 0.00 %
 DLOR 100.00 %
 RN 0.00 %

