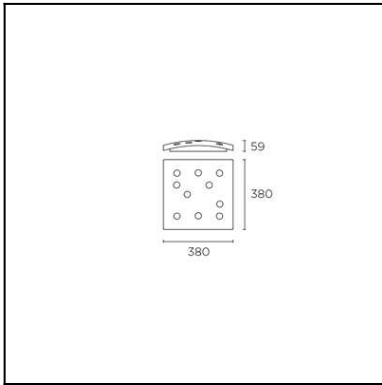


The photograph may not match the reference exactly. Please read the product description to identify the finish.


**TECHNICAL CHARACTERISTICS**

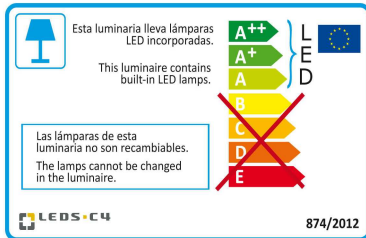
Type:	Ceiling fixture
IP Protection degrees:	IP23
Light source 1:	10 x LED Samsung 35W Warm White - 3000K 2300 lm <sup>(N)</sup> CRI 80
Voltage / Frequency:	220-240V/50-60Hz
Warranty (Years):	2
Option to extend the guarantee (Years):	5
Units per box:	4
Net Weight (Kg):	2.655
EAN:	8435381426019


**MATERIALS / FINISHES**

**Structure material:** Steel

**Structure finish:** Grey

[Download photometric file .ldt / .ies](#)



[Click on image to download energy label](#)

Lm<sup>(N)</sup>: Nominal flow of light in actual working conditions. Its actual flow will depend on the environmental conditions and the efficiency of the optics and/or diffuser.

LEDS-C4 reserves the right to make the necessary technical changes they deem adequate, in order to improve the features of the product.

Please consult the sales team to clarify any doubt.

**Luminaire**

Code 15-4849  
Name LED CEILING LAMP

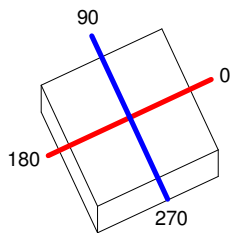
**Measur.**

Code 15-4849  
Name LED CEILING LAMP

Luminaire Flux	1840.93 lm	Luminaire Power	31.60 W	Efficacy	58.26 lm/W	Efficiency	77.03%
Lamps Flux	2390.00 lm	Maximum value	298.18 cd/klm	Position	C=0.00 G=2.00	CG	Asymmetrical
Rectangular Luminaire		Length	380 mm	Width	380 mm	Height	59 mm
Rectangular Luminous Area		Length	100 mm	Width	100 mm	Height	10 mm
Horizontal Luminous Area	0.010000 m2	Emitting area on Plane 180°		0.001000 m2			
Emitting area on Plane 0°	0.001000 m2	Emitting area on Plane 270°		0.001000 m2			
Emitting area on Plane 90°	0.001000 m2	Glare area at 76°		0.003390 m2			
Coordinate system	CG	Symmetry Type		Asymmetrical			
Date	06-02-2015	Maximum Gamma Angle		90			
Measurement Distance	0.00	Measurement Flux		2390.00 lm			
Operator		Source Voltage [V]					
Temperature	25.00 °C	Source current [A]					
Humidity	60.00 %	Photocell					
Notes							

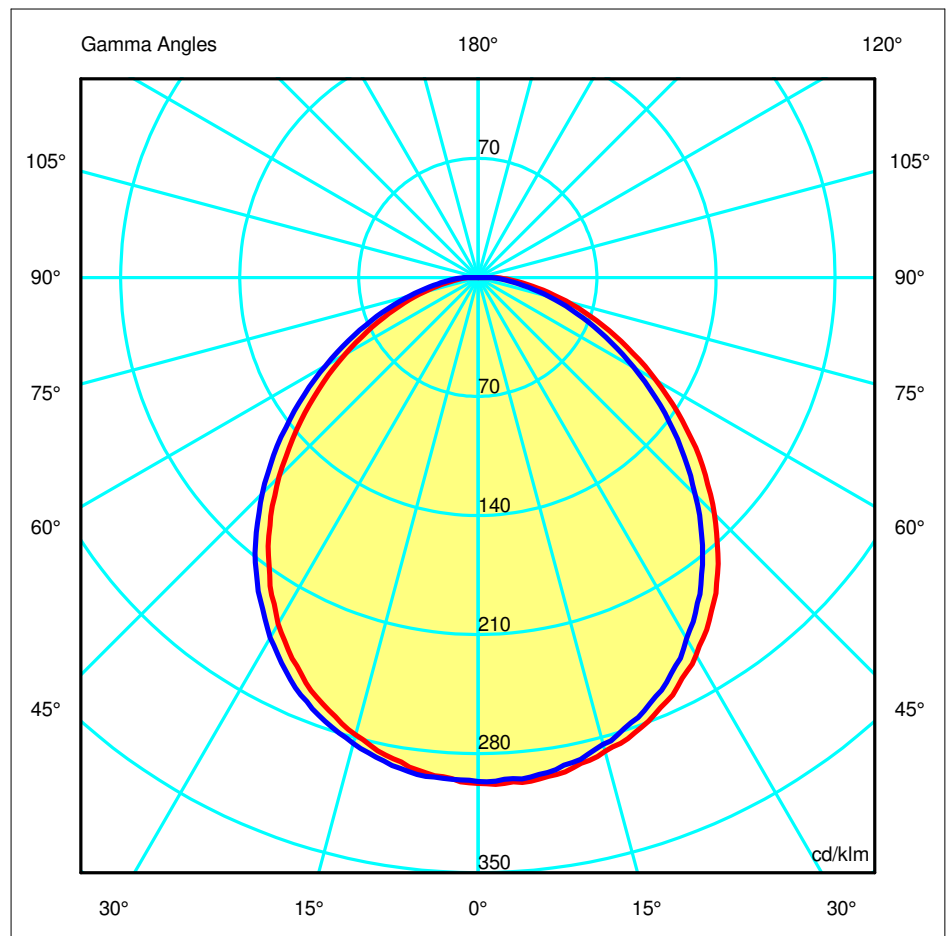
Luminaire Lamps						
Line	Code	Name	Flux [lm]	Pow. [W]	Q.ty	
	LED	LED - 31.60 W	2390.00	31.60	1	
C.I.E.	51 81 95 100 77	D DIN 5040	A40			
F UTE	0.77 D	B NBN	BZ 4			

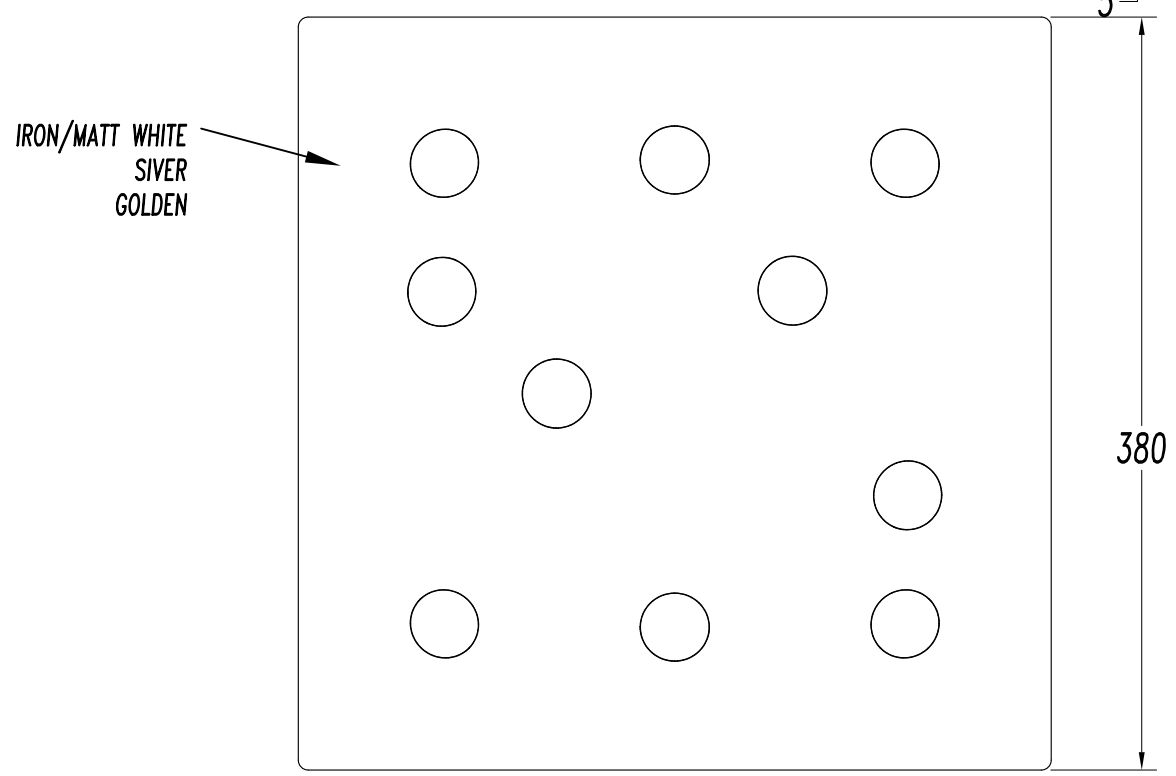
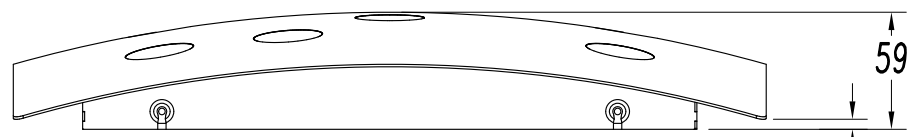
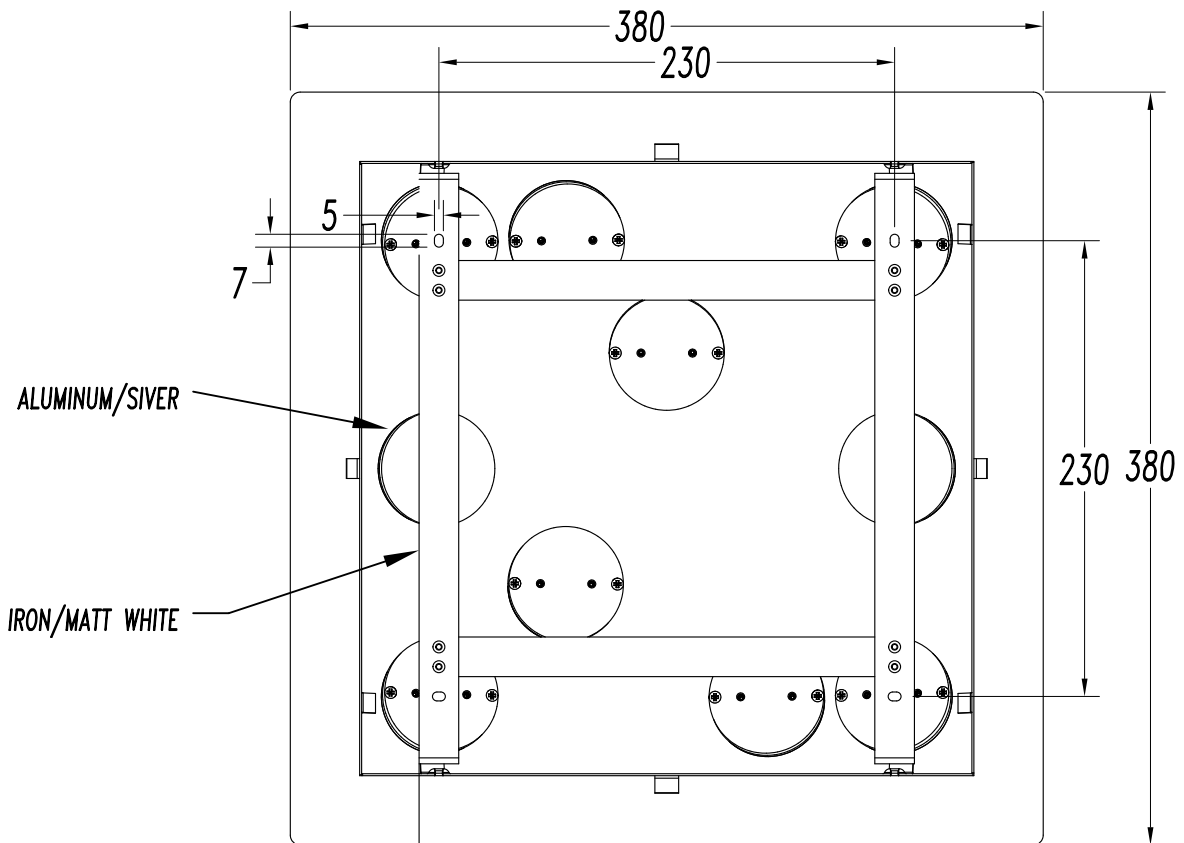
380mm x 380mm



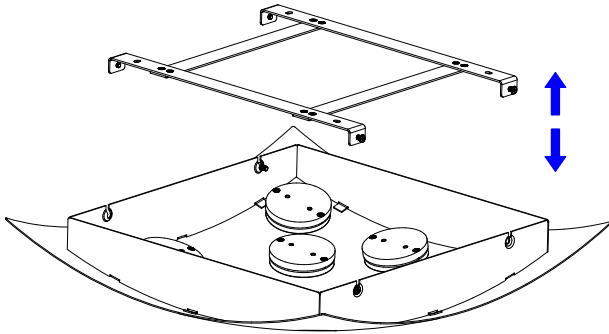
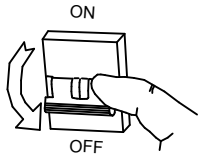
C Halfplanes  
180.0 — 0.0  
270.0 — 90.0

ULOR 0.00 %  
DLOR 77.03 %  
RN 0.00 %

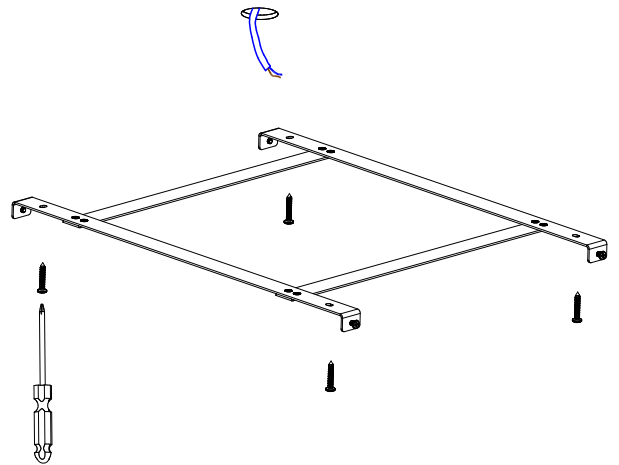




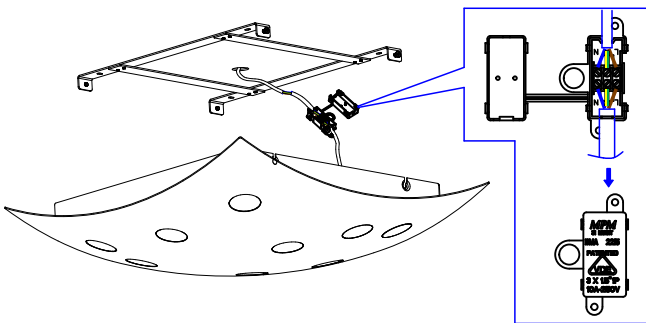
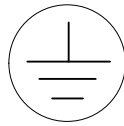
**1**



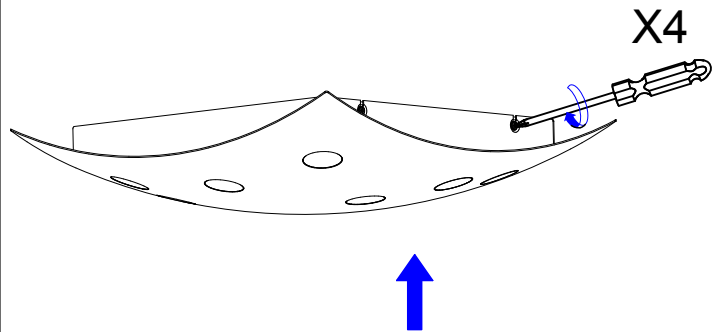
**2**



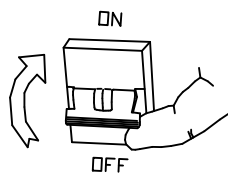
**3**



**4**



**5**



**6**

