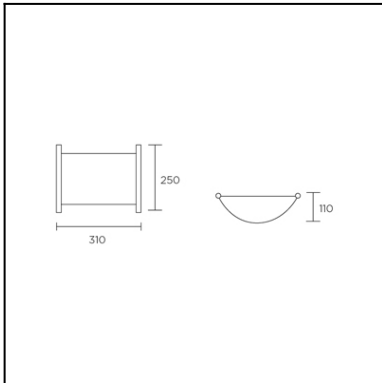
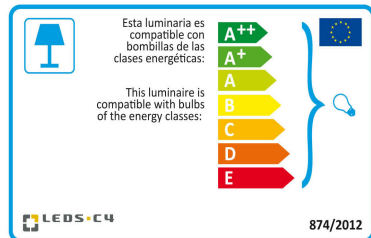




The photograph may not match the reference exactly. Please read the product description to identify the finish.



[Download photometric file .ldt / .ies](#)



[Click on image to download energy label](#)

## TECHNICAL CHARACTERISTICS

Type:	Wall fixture
IP Protection degrees:	IP20
Light source 1:	2 x E27 MAX 60W Maximum lamp length: 160.00 mm Maximum lamp diameter: 60.00 mm
Total power consumption (W):	120
Voltage / Frequency:	220-240V/50-60Hz
Warranty (Years):	2
Units per box:	6
Net Weight (Kg):	1.275
EAN:	8435071403047



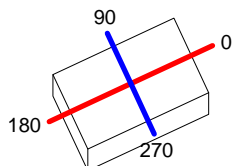
## MATERIALS / FINISHES

<b>Structure material:</b>	Steel	<b>Diffuser material:</b>	Glass
<b>Structure finish:</b>	Satin nickel	<b>Diffuser finish:</b>	Satin

<b>Luminaire</b>		<b>Measur.</b>		<b>Lamp</b>		
Code	274-NS	Code	274-NS	Code	CLAS A CL 60	
Name	Aplique NIZA 2x60W E27 opal	Name	Aplique NIZA 2x60W E27 opal	Number	2	
Line	Eulumdat	Date	26-03-2010	Position		
Efficiency	68.33%	Coordinate system	CG	Total Flux	1420.00 lm	
Maximum value	167.76 cd	Position	C=90.00 G=75.00	Double Symmetrical		
Rectangular Luminaire	Length	185 mm	Width	300 mm	Height	80 mm
Rectangular Luminous Area	Length	185 mm	Width	300 mm	Height	80 mm
Horizontal Luminous Area	0.055500 m2	Emitting area on Plane 180°		0.014800 m2		
Emitting area on Plane 0°	0.014800 m2	Emitting area on Plane 270°		0.024000 m2		
Emitting area on Plane 90°	0.024000 m2	Glare area at 76°		0.027787 m2		
Symmetry Type	Double Symmetrical	Maximum Gamma Angle		180		
Measurement Distance	0.00	Measurement Flux		1420.00 lm		
Operator	Asselum	Source voltage				
Temperature	25.00 °C	Source current				
Humidity	60.00 %	Photocell				
Notes						

Luminaire Lamps					
Line	Code	Name	Flux [lm]	Pow. [W]	Q.ty
Eulumdat	CLAS A CL 60	CLAS A CL 60 - 60.00 W	710.00	60.00	2
C.I.E.	26 50 76 59 68	D DIN 5040			
F UTE	0.40 J + 0.28 T	B NBN			
			C11		
			BZ 8		

185mm x 300mm



**C Halfplanes**

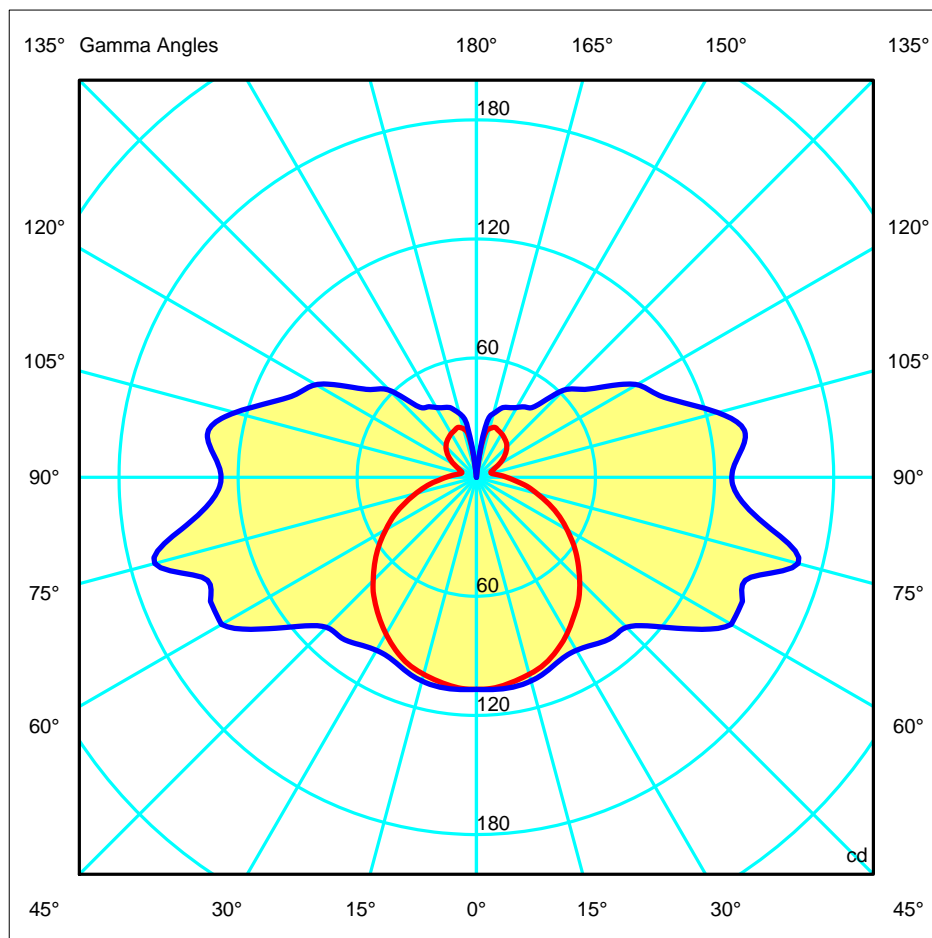
180.0 — 0.0

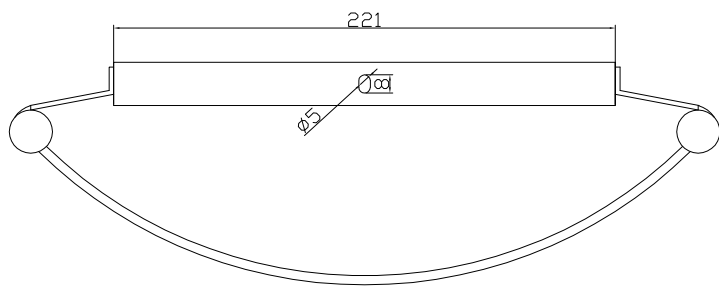
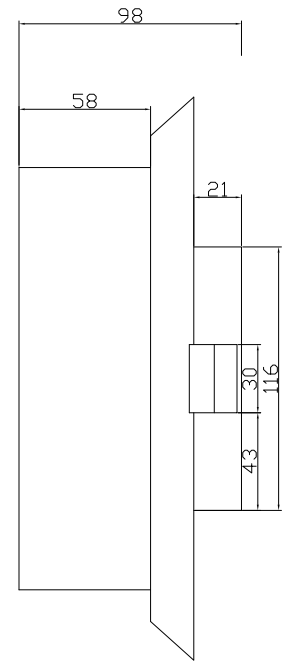
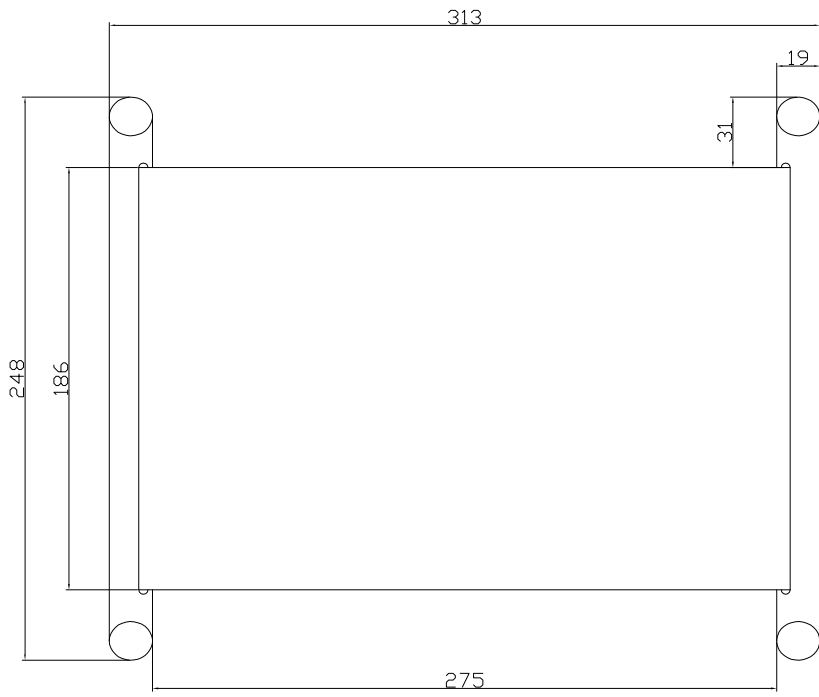
270.0 — 90.0

ULOR 28.00 %

DLOR 40.32 %

RN 40.99 %





MATERIAL OF CONSTITUTION: IRON AND GLASS IN FROSTED

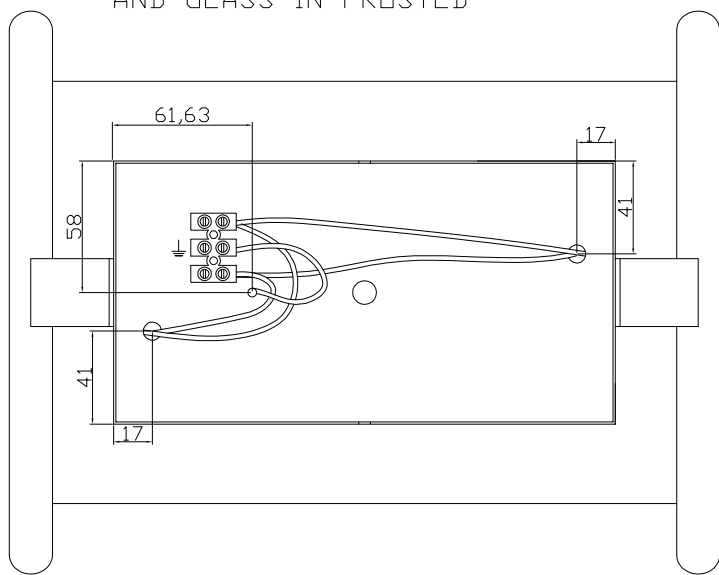
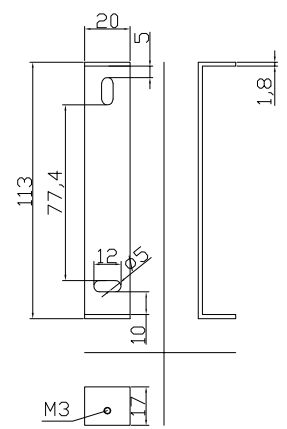
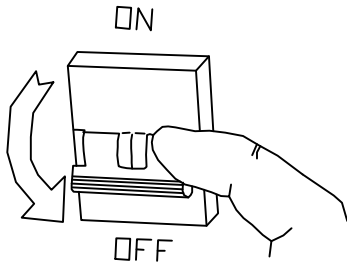


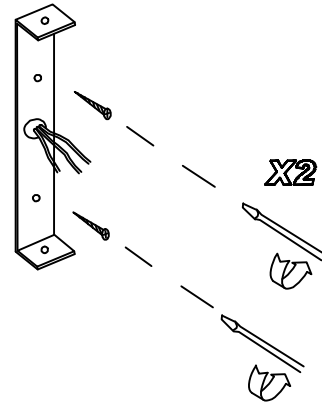
PLATE SET TO WALL



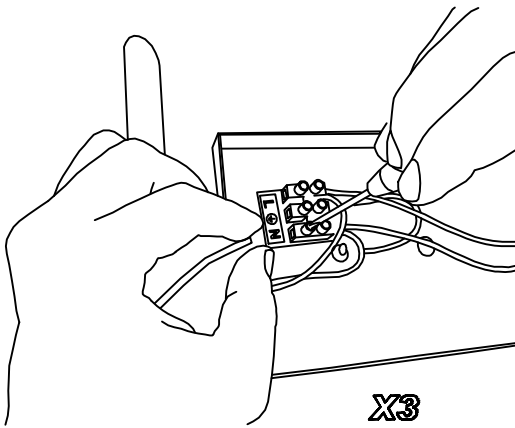
1



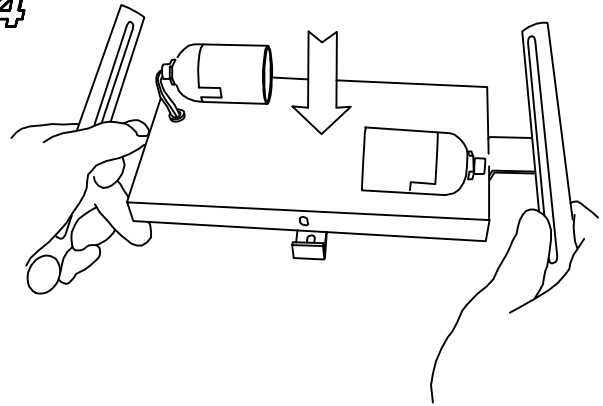
2



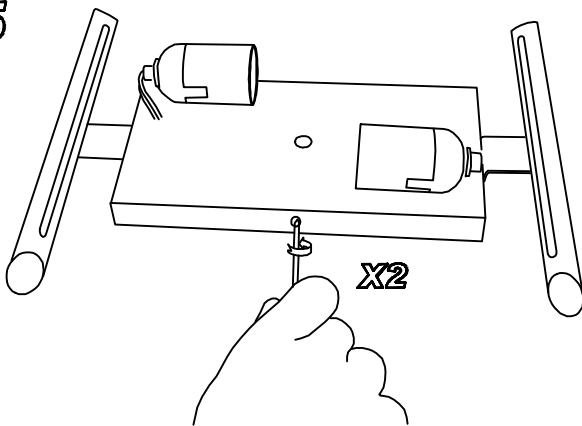
3



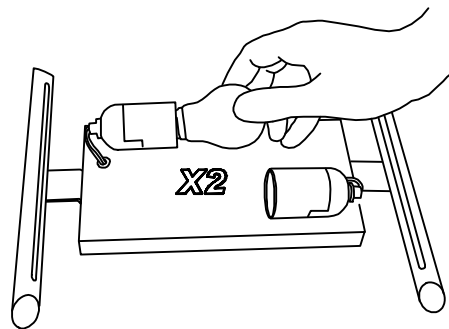
4



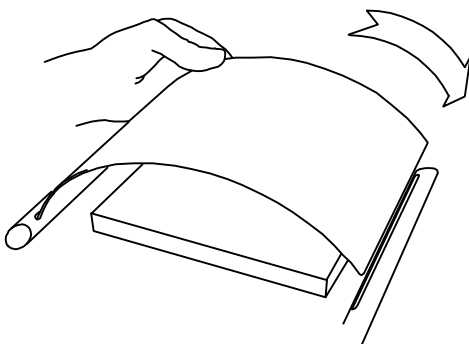
5



6



7



8

