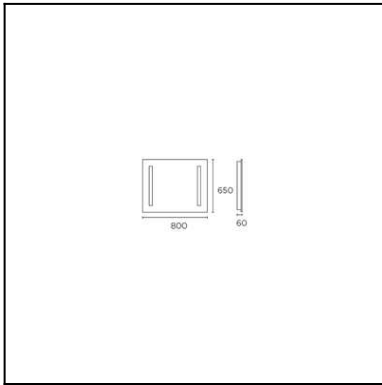


The photograph may not match the reference exactly. Please read the product description to identify the finish.



TECHNICAL CHARACTERISTICS

Type:	Mirror
IP Protection degrees:	IP44
Light source 1:	2 x 2G11 55W
Total power consumption (W):	97.9
Voltage / Frequency:	220-240V/50-60Hz
Warranty (Years):	2
Units per box:	1
Net Weight (Kg):	11.96
EAN:	8435111036396

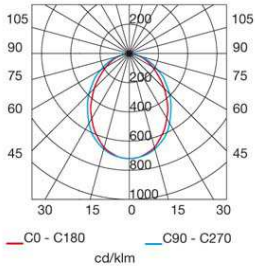


MATERIALS / FINISHES

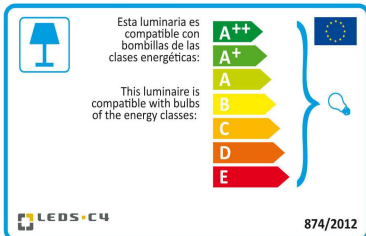
Structure material:	Steel Mirror
Structure finish:	White

GEAR

Gear included: Yes, electronic



Download photometric file .ldt / .ies

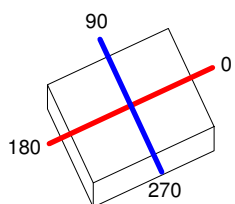


Click on image to download energy label

Luminaire		Measur.		Lamp		
Code	426-ES	Code	426-ES	Code	DULUX L 55 W/840	
Name	Aplique REFLEX 2x55W 2G11 opal	Name	Aplique REFLEX 2x55W 2G11 opal	Number	2	
Line	Eulumdat	Date	26-03-2010	Position		
Efficiency	16.34%	Coordinate system	CG	Total Flux	9600.00 lm	
Maximum value	719.33 cd	Position	C=0.00 G=0.00	Double Symmetrical		
Rectangular Luminaire	Length	650 mm	Width	800 mm	Height	55 mm
Rectangular Luminous Area	Length	500 mm	Width	650 mm	Height	1 mm
Horizontal Luminous Area	0.325000 m2	Emitting area on Plane 180°		0.000500 m2		
Emitting area on Plane 0°	0.000500 m2	Emitting area on Plane 270°		0.000650 m2		
Emitting area on Plane 90°	0.000650 m2	Glare area at 76°		0.079110 m2		
Symmetry Type	Double Symmetrical	Maximum Gamma Angle		90		
Measurement Distance	0.00	Measurement Flux		9600.00 lm		
Operator	Asselum	Source voltage				
Temperature	25.00 °C	Source current				
Humidity	60.00 %	Photocell				
Notes						

Luminaire Lamps					
Line	Code	Name	Flux [lm]	Pow. [W]	Q.ty
Eulumdat	DULUX L 55 W/840	DULUX L 55 W/840 - 55.00 W	4800.00	55.00	2
C.I.E.	54 84 97 100 16	D DIN 5040	A40		
F UTE	0.16 D	B NBN	BZ 3 / 0.8 / BZ 4		

650mm x 800mm



C Halfplanes

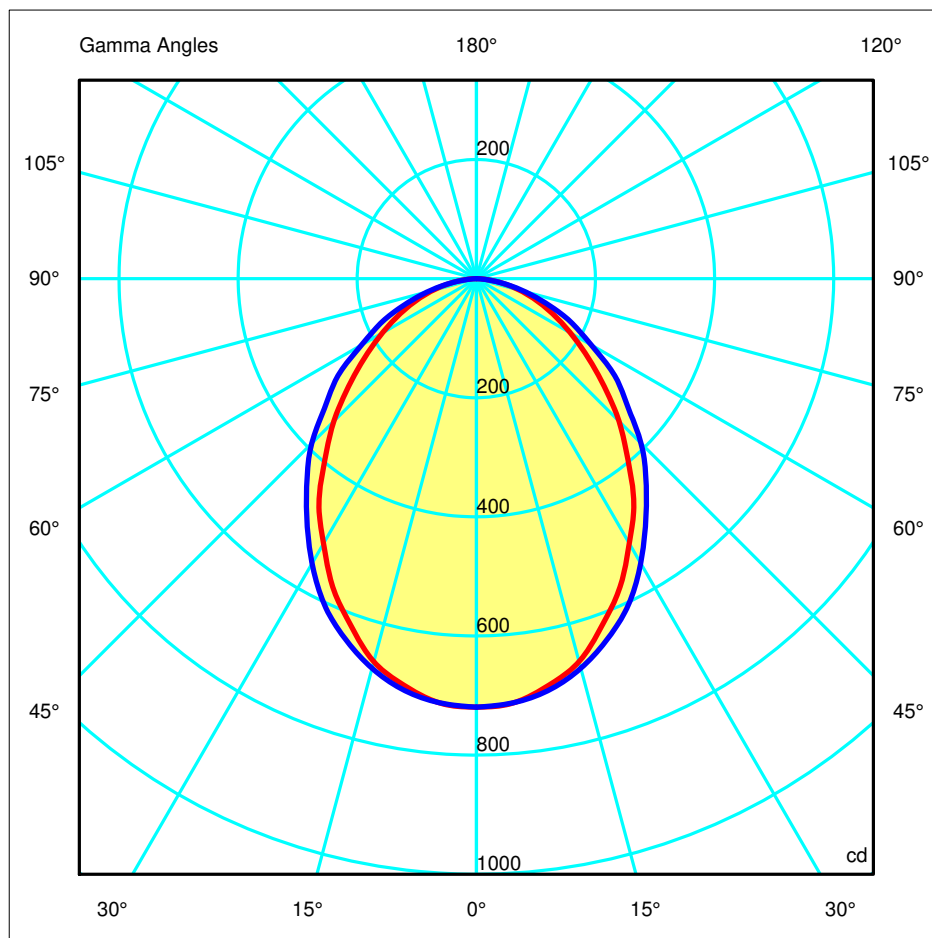
180.0 — 0.0 (Red line)

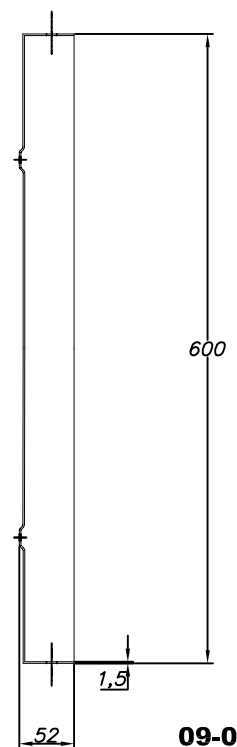
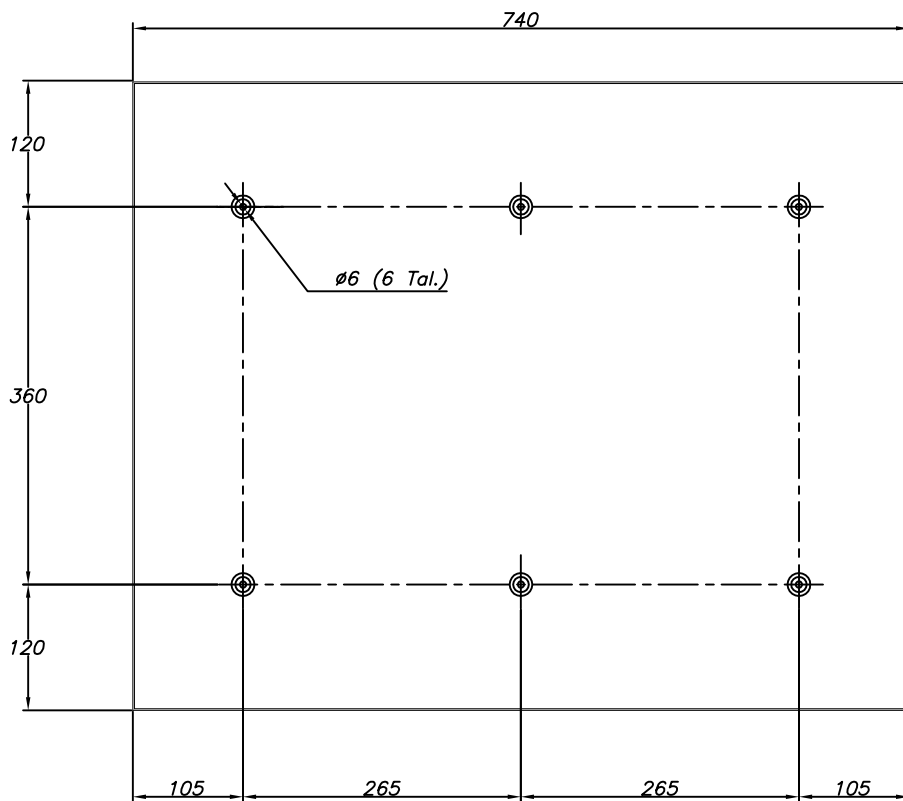
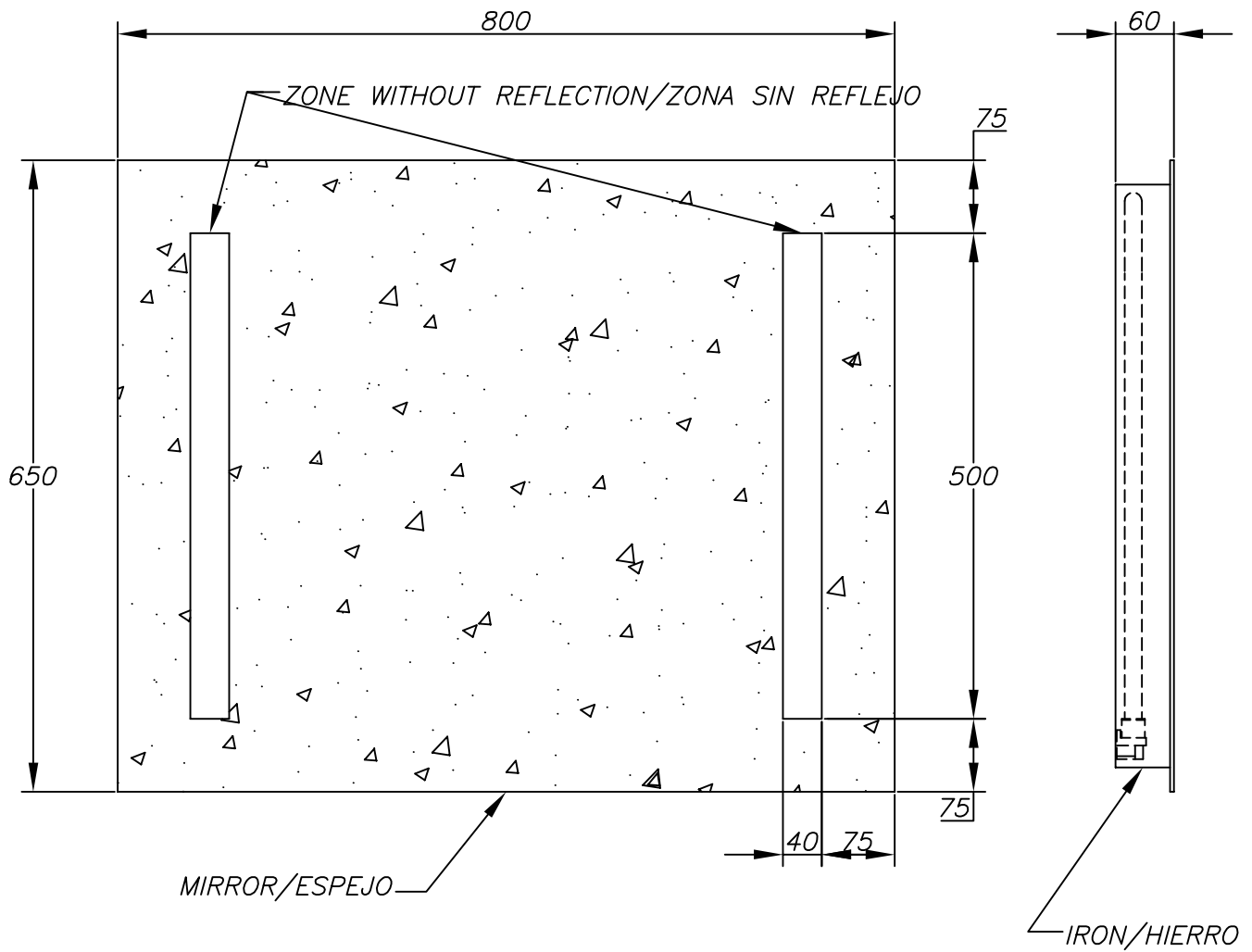
270.0 — 90.0 (Blue line)

ULOR 0.00 %

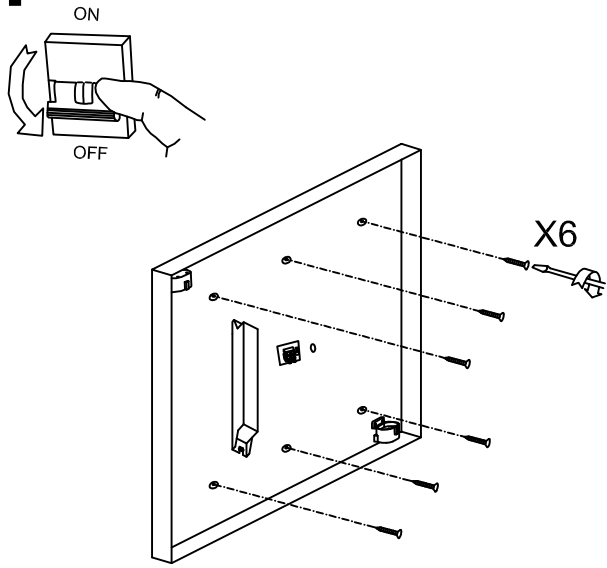
DLOR 16.34 %

RN 0.00 %

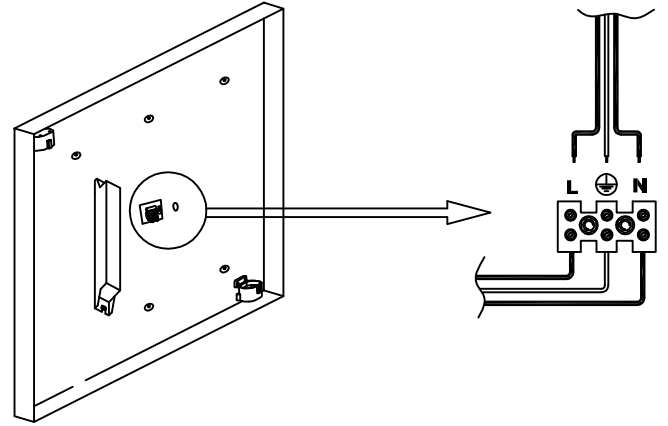




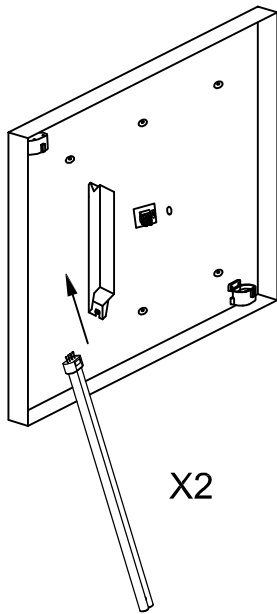
1



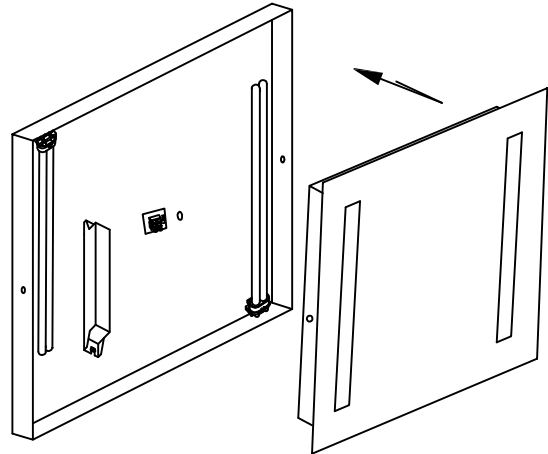
2



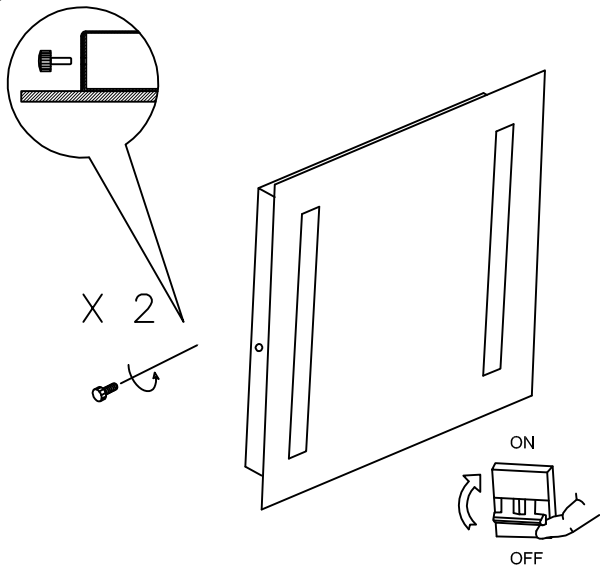
3



4



5



6

