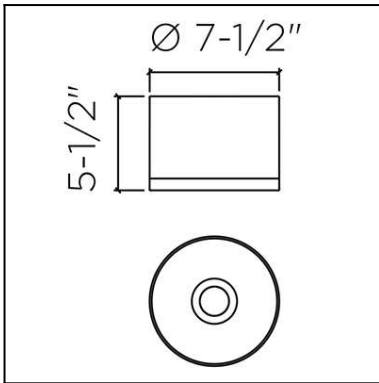




The photograph may not match the reference exactly. Please read the product description to identify the finish.



Download photometric file .ldt / .ies

## Description

Shade, old copper, Ø186mm

## TECHNICAL CHARACTERISTICS

Type:	Accessory
IP Protection degrees:	IP20
Light source 1:	0 x E27 Maximum lamp length: 125.00 mm Maximum lamp diameter: 155.00 mm
Warranty (Years):	2
Units per box:	8
Net Weight (Kg):	0.145
EAN:	8435381408565



## MATERIALS / FINISHES

**Structure material:** Steel

**Diffuser material:** PVC

**Diffuser finish:** Antique copper

